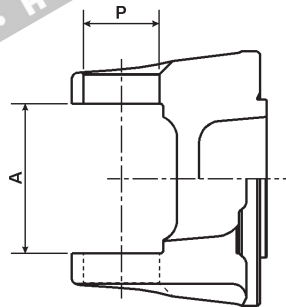


INDEX

SECTION B:4

MECHANICS TYPE "R" SERIES

SERIES	SECTION
17R.....	B:4-3
2R.....	B:4-7
21R.....	B:4-11
25R.....	B:4-15
3R.....	B:4-17
MID SHIP ASSEMBLIES.....	B:4-21
TRIPOD STYLE.....	B:4-23



UNIVERSAL JOINT TORQUE CAPACITIES

SERIES	P	A	CONTINUOUS OPERATION eg. PETROL or DIESEL ENGINE	INDUSTRIAL OPERATION eg. ELECTRIC MOTOR DRIVE	SHORT DURATION TORQUE
17R	25.40	43.64	169.0 Nm	253.0 Nm	847.0 Nm
	1.000	1.718	124.0 ft/lbs	186.6 ft/lbs	624.6 ft/lbs
2R	25.40	59.44	217.0 Nm	325.0 Nm	1085.0 Nm
	1.000	2.340	160.0 ft/lbs	239.7 ft/lbs	800.1 ft/lbs
21R/21S	27.39	54.00	238.0 Nm	357.0 Nm	1191.0 Nm
	1.078	2.125	175.5 ft/lbs	263.3 ft/lbs	878.3 ft/lbs
25R	28.57	59.44	380.0 Nm	569.0 Nm	1898.0 Nm
	1.125	2.340	280.2 ft/lbs	419.6 ft/lbs	1399.7 ft/lbs
3R	28.57	65.10	237.0 Nm	352.5 Nm	1185.0 Nm
	1.125	2.563	175.0 ft/lbs	260.0 ft/lbs	875.0 ft/lbs

www.hardyspicer.com.au

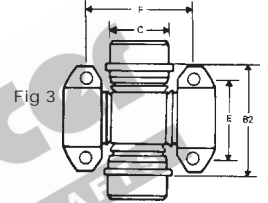
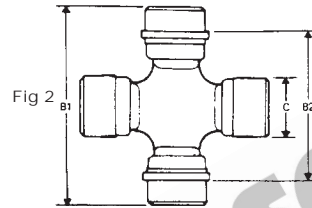
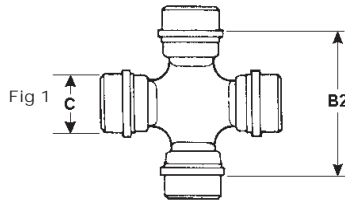
Document No:	HSDSCAT
Issue:	9
Issue Date:	18/07/19



www.hardyspicer.com.au

Document No:	HSDSCAT
Issue:	9
Issue Date:	18/07/19

MECHANICS TYPE 17R



17R STANDARD UNIVERSAL JOINT

PART No.	FIG	C	B2	LUBE	DESCRIPTION
<i>RUJ-1786</i>	1	25.40	43.64	CAP	STANDARD JOINT
<i>RUJ-1786R</i>	1	25.40	43.64	NIL	PREMIUM THRUST WASHER TYPE

17R CONVERSION UNIVERSAL JOINT

PART No.	FIG	C	B1	B2	E	F	LUBE	DESCRIPTION
<i>RUJ-1766</i>	2	23.80 25.40	61.30	43.64			CAP	1140 SERIES TO 17R SERIES
<i>RUJ-1768</i>	3	25.40		43.64	33.34	44.45	NIL	JOHN DEERE
<i>RUJ-1758</i>	3	25.40		43.64	33.34	52.78	CAP	EARLY HOLDEN
<i>5-248X</i>	2	25.40 26.99	61.93	43.64			CENTRE	17R SERIES TO 1110 SERIES

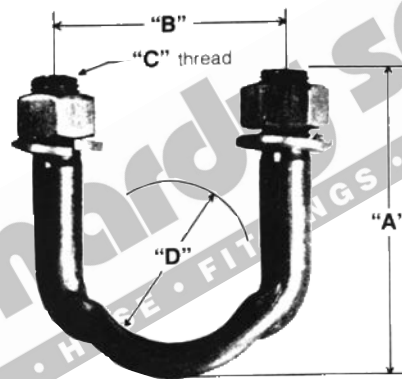


Fig 4

U/BOLT KIT

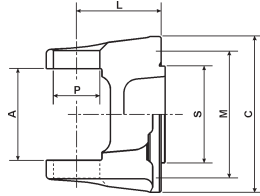
PART No.	FIG	U-BOLTS or CLAMPS	LOCK WASHER	HEX NUT or CAP SCREW	A	B	C	D	SUITS SHAFT SERIES
104	4	2	4	4	47.62 1.875	34.92 1.375	1/4-28UNF	25.40 1.000	17R 2 x U/Bolts, 4 x nuts, 4 x S/Washers

www.hardyspicer.com.au

Document No:	HSDSCAT
Issue:	9
Issue Date:	18/07/19

17R MECHANICS TYPE

A = 43.64
1.718
P = 25.40
1.000



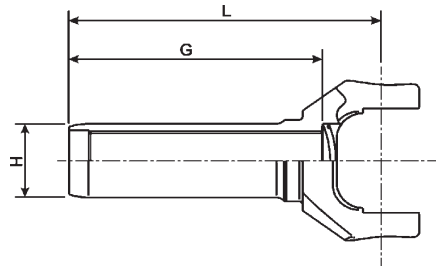
17R FLANGE YOKE

PART No.	FLANGE DIA.	C/L OF U.J. TO FACE	SPIGOT DIA M=MALE F=FEMALE	P.C.D.		BOLT HOLE PATTERN	No. HOLES	HOLE DIA	DESCRIPTION
				L	S				
17R-2-431C	81.00 3.189	43.00 1.690	M-44.90 1.768	89.09 3.507		63.00 x 63.00 2.480 x 2.480	4	8.50 0.335	MAZDA
17R-2-502	90.00 3.543	43.00 1.690	M-44.90 1.768	73.00 2.874		45.70 x 56.70 1.799 x 2.232	4	8.30 0.327	MAZDA
17R-2-504	90.00 3.543	43.00 1.690	M-44.90 1.768	74.50 2.933		46.00 x 59.00 1.810 x 2.323	4	8.30 0.327	MAZDA ROTARY
17R-2-608			M-60.00 2.362			60.80 x 51.40 2.394 x 2.024	4	8.20 0.323	MITSUBISHI EVO LANCER AWD
17R-2-423C	103.17 4.062	40.00 1.575	M-46.00 1.810	77.83 3.064		54.80 x 54.80 2.157 x 2.157	4	8.20 0.323	TOYOTA
17R-2-439C	108.00 4.251	43.00 1.693	M-46.00 1.810	84.85 3.341		60.00 x 60.00 2.362 x 2.362	4	10.20 0.402	TOYOTA
17R-2-500	92.00 3.622	39.00 1.535	M-50.00 1.969	75.80 2.984		53.60 x 53.60 2.110 x 2.110	4	8.50 0.335	SUBARU / NISSAN
17R-2-501	92.00 3.622	39.00 1.535	M-50.00 1.969	75.00 2.853		48.00 x 58.00 1.890 x 2.283	4	8.50 0.335	NISSAN (CENTRE)
17R-2-1309	102.50 4.251	43.00 1.693	M-50.00 1.969	81.28 3.200		57.50 x 57.50 2.264 x 2.264	4	10.50 0.413	NISSAN NOMAD / 300ZX
17R-2-445	108.00 4.251	41.00 1.614	M-56.00 2.204	89.90 3.539		67.00 x 60.00 2.638 x 2.362	4	10.50 0.413	ENGLISH FORD
17R-2-429	87.00 3.425	38.00 1.496	M-57.15 2.250	69.88 2.751		44.91 x 53.50 1.768 x 2.106	4	8.50 0.335	NISSAN / 1140 SERIES
17R-2-437	92.00 3.622	38.00 1.496	M-57.09 2.125	77.83 3.064		67.40 x 38.92 2.654 x 1.532	4	10.60 0.417	HOLDEN / MITSUBISHI NISSAN
17R-2-SF-S	92.30 3.634	40.00 1.575	M-58.30 2.295	N/A		N/A	N/A		SEMI FINISHED FULL ROUND
17R-2-SF-L	108.00 4.251	40.00 1.575	M-58.30 2.295	N/A		N/A	N/A		SEMI FINISHED FULL ROUND

www.hardyspicer.com.au

Document No:	HSDSCAT
Issue:	9
Issue Date:	18/07/19

MECHANICS TYPE 17R



17R

SLIP YOKE

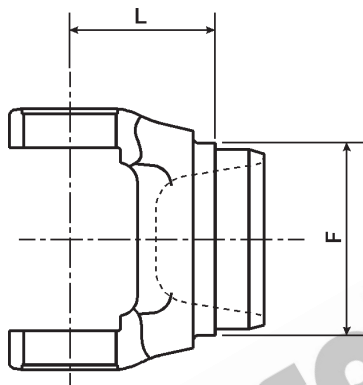
PART No.	No. OF SPLINES	SPLINE		GROUND SLEEVE DIA. H	C/L TO END L	LENGTH OF HOLE G	COMMENTS
		MAJOR DIA.	MINOR DIA.				
17R-3-1628	11-INV	24.99 0.984	21.33 0.840	34.87 1.373	132.00 5.197	105.02 4.135	HOLDEN 3 SPEED NON SYNCRO
17R-3-1848	16-INV	22.28 0.877	18.80 0.740	30.13 1.186	140.40 5.528	115.00 4.528	FORD ESCORT AUST. PRODUCTION AVAILABLE WHILE STOCKS LAST
17R-3-1498	18-INV	20.50 0.807	17.98 0.708	29.93 1.178	122.20 4.811	96.80 3.811	DATSUN 120Y, 1200, SUNNY, C20
17R-3-1358	20-INV	22.80 0.898	20.10 0.791	30.13 1.186	140.40 5.528	115.00 4.528	FORD CORTINA & ESCORT AUST. PRODUCTION
17R-3-2188	20-INV	22.83 0.899	20.70 0.815	31.95 1.258	142.00 5.591	116.60 4.591	TOYOTA COROLLA KE30/35
17R-3-2522	21-INV	24.10 0.945	21.40 0.843	32.00 1.260	136.20 5.354	108.00 4.252	MITSUBISHI EVO LANCER AWD
17R-3-1478	21-INV	27.96 1.101	25.58 1.007	37.97 1.495	145.20 5.717	115.05 4.530	TOYOTA 5 SPEED
17R-3-2638	22-INV	25.34 0.998	22.47 0.885	31.95 1.258	142.00 5.591	116.60 4.591	TOYOTA
17R-3-2158	22-INV	25.40 1.000	22.22 0.875	34.90 1.374	150.00 5.906	119.58 4.719	MAZDA ROTARY / PISTON UP TO 1984
17R-3-1308	24-INV	25.52 1.005	23.00 0.906	34.95 1.376	148.40 5.843	118.25 4.656	NISSAN
17R-3-2498	24-INV	26.92 1.060	24.35 0.959	35.92 1.414	132.00 5.197	105.02 4.135	V.K. COMMODORE 5 SPEED
17R-3-1518	25-INV	28.27 1.113	24.97 0.983	34.91 1.374	140.40 5.528	111.82 4.402	FORD ESCORT / CORTINA CAPRI AUST. PRODUCTION
17R-3-1158	25-INV	28.27 1.113	24.97 0.983	34.86 1.372	149.80 5.898	119.65 4.711	FORD FALCON SUPERCEDED TO 17R-3-1518
17R-3-1188	27-INV	30.23 1.190	27.94 1.100	38.15 1.502	133.00 5.236	105.20 4.141	HOLDEN AUTO / MANUAL VK COMMODORE

www.hardyspicer.com.au

Document No:	HSDSCAT
Issue:	9
Issue Date:	18/07/19

17R MECHANICS TYPE

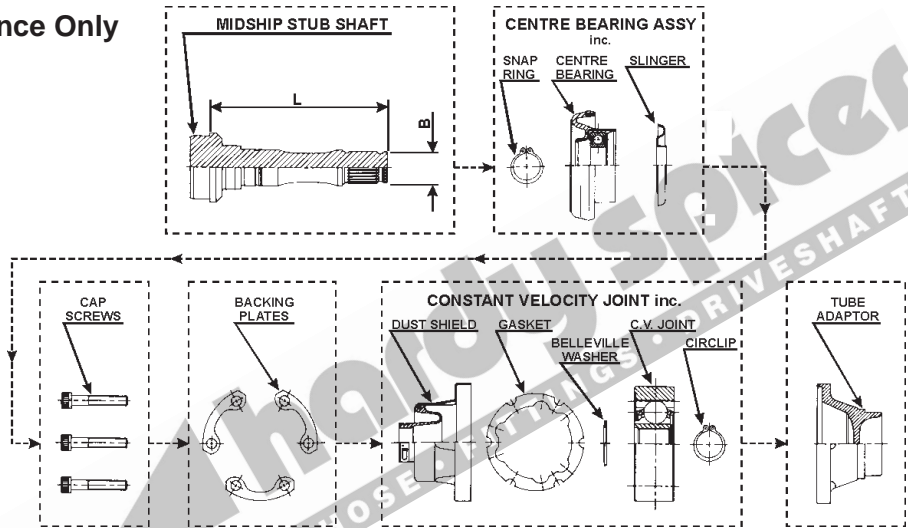
BUTT TYPE
H=HOLLOW
S=SOLID



17R WELD YOKE

PART No.	C/LINE TO POINT OF WELD L	TUBE O.D. & WALL THICKNESS F	TUBE PART No.	BUTT TYPE	COMMENTS
17R-26-330	41.00 1.614	50.80 x 2.41 2.000 x 0.095	1613-0000	S	
17R-26-328	43.00 1.693	57.15 x 1.65 2.250 x 0.065	1816-0000	H	
17R-26-231	41.00 1.614	63.50 x 1.65 2.500 x 0.065	2016-0000	H	
17R-26-350	31.20 1.228	69.85 x 1.65 2.750 x 0.065	2216-0000	H	
17R-26-261	43.00 1.693	76.20 x 1.65 3.000 x 0.065	2416-0000	H	

Reference Only



17R MID SHIP ASSEMBLY

MIDSHIP STUB SHAFT PART No.	SPLINE DIA. & No. B	END OF SPLINE TO POINT OF WELD L	TUBE PART No. & SIZE	BEAR-ING I.D. 1.181	CENTRE BEAR-ING PART No. CB-952	CV JOINT CV-856	TUBE ADAPTOR PART No. 679-R08	COMMENTS
17R-56-5821 NLA	26.46-24 1.042	144.00 5.669	1813-0000 2.250 x 0.095	30.00 1.181	CB-952	CV-856	679-R08 NLA	CAP SCREW 6 x 608-R95 + BACKING PLATE 3 x 806-R15

Note : Replacement Boot Kit Only = CV-852

www.hardyspicer.com.au

Document No:	HSDSCAT
Issue:	9
Issue Date:	18/07/19

MECHANICS TYPE 2R

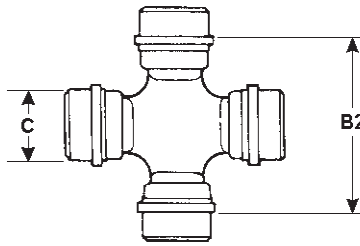


Fig 1

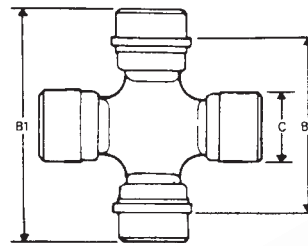


Fig 2

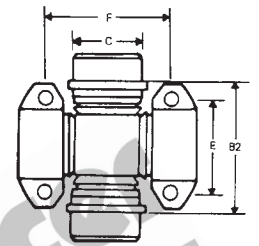


Fig 3

2R STANDARD UNIVERSAL JOINT

PART No.	FIG	C	B2	LUBE	DESCRIPTION
<i>RUJ-2030</i>	1	25.40	59.53	NIL	STANDARD JOINT
<i>RUJ-2030R</i>	1	25.40	59.53	NIL	PREMIUM THRUST WASHER TYPE
<i>114-2101</i>	1	25.40	59.53	CAP	GREASABLE CAP

2R CONVERSION UNIVERSAL JOINT

PART No.	FIG	C	B1	B2	E	F	LUBE	DESCRIPTION
<i>114-2111</i>	3	25.40		59.53	33.34	59.53	SIDE OR CAP	2R SERIES TO 2C MECHANICS
<i>114-2107</i>	3	25.40		43.64	33.34	61.52	SIDE	2R SERIES
<i>RUJ-2032</i>	2	25.40 26.99	81.76	59.53			SIDE	2R SERIES TO 1310 SERIES
<i>RUJ-2009</i>	1	25.40 28.58		59.53 59.53			SIDE	2R SERIES TO 25R SERIES
<i>RUJ-2034</i>	2	25.40 28.58	81.76	59.53			SIDE	2R SERIES TO 25R SERIES

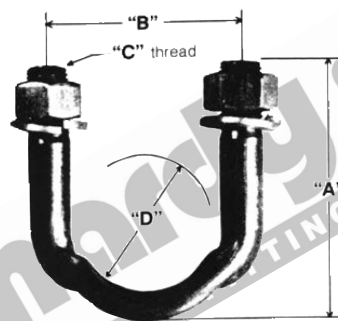


Fig 4

U/BOLT KIT

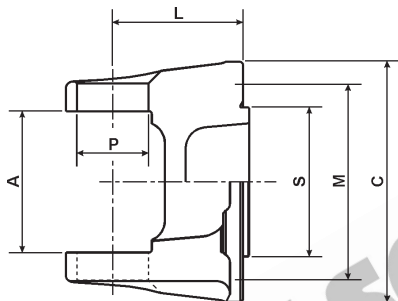
PART No.	FIG	U-BOLTS	LOCK WASHER	HEX NUT or CAP SCREW	A	B	C	D	SUITS SHAFT SERIES
<i>2R-94-10</i>	4	2	4	4	60.30 2.375	34.92 1.375	1/4-28UNF	25.40 1.000	2R 2 x U/Bolts, 4 x nuts, 4 x S/Washers
<i>102</i>	4	2	4	4	47.62 1.875	35.72 1.406	5/16-24UNF	26.99 1.038	9" Yokes - 1-1/16" CAPS
<i>105</i>	4	2	4	4	50.00 1.969	40.48 1.594	5/16-18UNF	28.57 1.125	9" Yokes - 1-1/8" CAPS

www.hardyspicer.com.au

Document No:	HSDSCAT
Issue:	9
Issue Date:	18/07/19

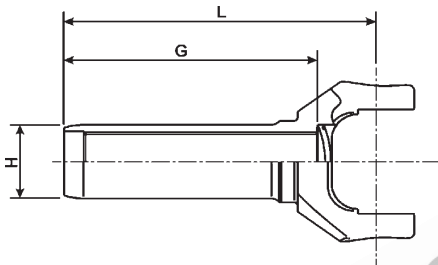
2R MECHANICS TYPE

C = 25.40
1.000
B2 = 59.44
2.340



2R FLANGE YOKE

PART No.	FLANGE DIA.	C/L OF U.J. TO FACE	SPIGOT DIA M=MALE F=FEMALE	P.C.D.	BOLT HOLE PATTERN	No. HOLES	HOLE DIA	DESCRIPTION
	C	L	S		M			
2R-2-438	92.00 3.662	38.00 1.496	M-57.00 2.244	77.83 3.064	30° SPACING	4	10.50 0.417	COMMODORE / NISSAN



2R SLIP YOKE

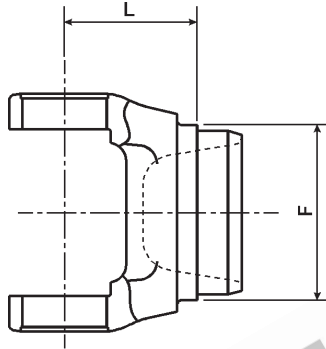
PART No.	No. OF SPLINES	SPLINE		GROUND SLEEVE DIA.	C/L TO END	LENGTH OF HOLE	COMMENTS
		MAJOR DIA.	MINOR DIA.	DIA. H	L	G	
2R-3-3188	21-INV	27.96 1.101	25.58 1.007	37.97 1.495	145.20 5.717	115.05 4.530	TOYOTA 5 SPEED
2R-3-1278	27-INV	30.22 1.190	27.94 1.100	38.15 1.502	148.40 5.843	113.50 4.469	HOLDEN 253 V8 UP TO VK COMMODORE
2R-3-2398	28-INV	30.70 1.209	27.76 1.093	38.02 1.497	156.40 6.157	124.65 4.907	FORD TRANSIT, FORD 28 SPLINE RAMBLER
2R-3-2938	30-INV	32.62 1.284	30.00 1.181	41.95 1.652	155.00 6.102	125.00 4.921	COMMODORE VL TURBO MANUAL NISSAN 300ZX

www.hardyspicer.com.au

Document No:	HSDSCAT
Issue:	9
Issue Date:	18/07/19

MECHANICS TYPE 2R

BUTT TYPE
H=HOLLOW
S=SOLID



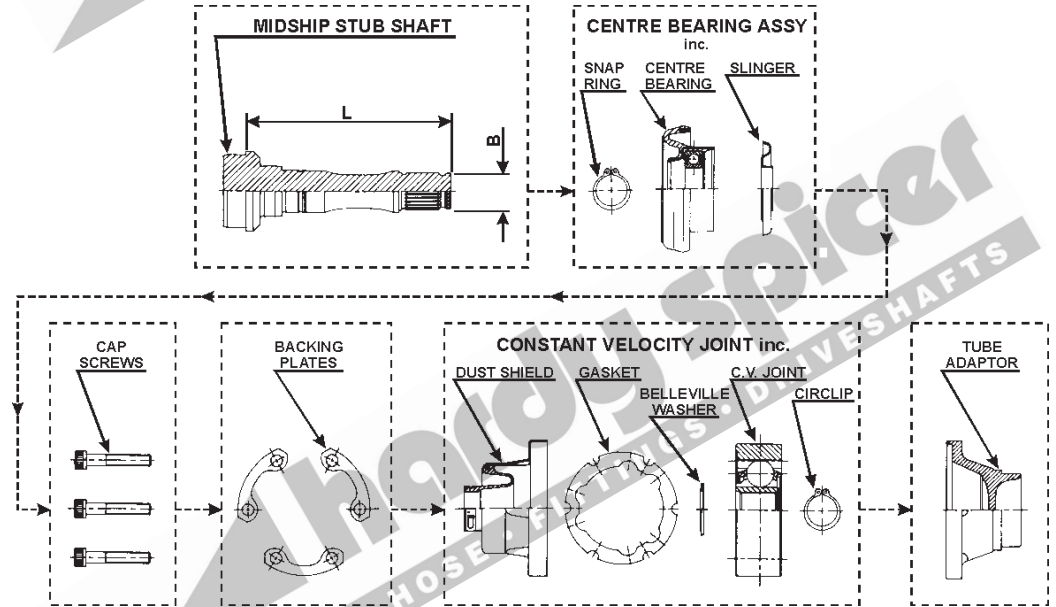
2R

WELD YOKE

PART No.	C/LINE TO POINT OF WELD L	TUBE O.D. & WALL THICKNESS F	TUBE PART No.	BUTT TYPE	COMMENTS
2R-26-295	43.00 1.693	57.15 x 2.41 2.250 x 0.095	1813-0000	H	
2R-26-212	48.00 1.890	63.50 x 1.65 2.500 x 0.065	2016-0000	H	
2R-26-234	47.00 1.850	69.85 x 1.65 2.750 x 0.065	2216-0000	H	
2R-26-224	52.00 2.047	76.20 x 1.65 3.000 x 0.065	2416-0000	H	

2R

MID SHIP ASSEMBLY

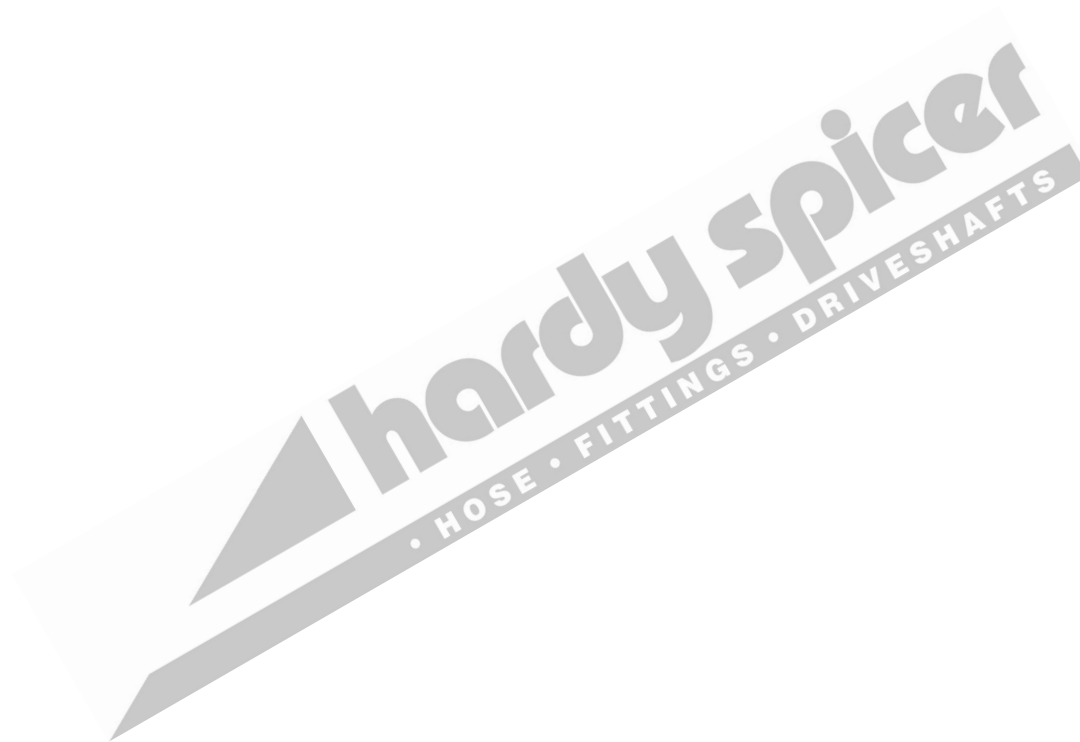


MIDSHIP STUB SHAFT PART No.	SPLINE DIA. & No. B	END OF SPLINE TO POINT OF WELD L	TUBE PART No. & SIZE	BEAR-ING I.D. 1.181	CENTRE BEAR-ING PART No. CB-952	CV JOINT CV-855A	TUBE ADAPTOR PART No. 679-R09	COMMENTS
2R-56-5861	27.50-25 1.083	138.00 5.433	1813-0000 2.250 x 0.095	30.00 1.181	CB-952	CV-855A	679-R09	CAP SCREW 6 x 608-R95 + BACKING PLATE 3 x 806-R16

Note : Replacement Boot Kit Only = CV-853

www.hardyspicer.com.au

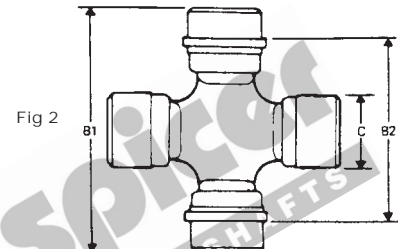
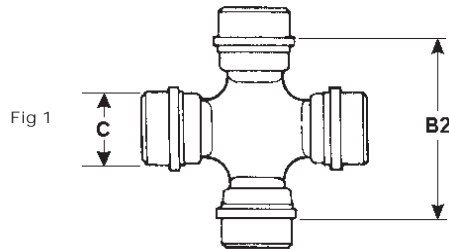
Document No:	HSDSCAT
Issue:	9
Issue Date:	18/07/19



www.hardyspicer.com.au

Document No:	HSDSCAT
Issue:	9
Issue Date:	18/07/19

MECHANICS TYPE 21R

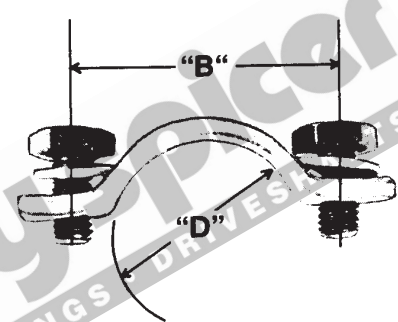
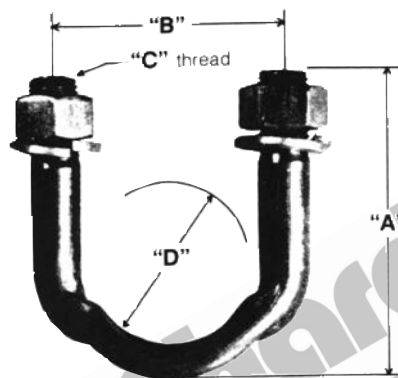


21R STANDARD UNIVERSAL JOINT

PART No.	FIG	C	B2	LUBE	DESCRIPTION
<i>RUJ-2038</i>	1	27.39	54.00	NIL	STANDARD JOINT
<i>RUJ-2038R</i>	1	27.39	54.00	NIL	PREMIUM THRUST WASHER TYPE

21R CONVERSION UNIVERSAL JOINT

PART No.	FIG	C	B1	B2	E	F	LUBE	DESCRIPTION
<i>K5-A530</i>	2	26.99	81.76				SIDE	1310 SERIES TO 21R SERIES
		27.39		54.00				
<i>RUJ-2029</i>	2	27.39		54.00			SIDE	21R SERIES TO 8.5" SERIES FORD DIFF
		28.58	82.00					



"C" = Hex Head Cap Screw Size

STRAP & U/BOLT KIT

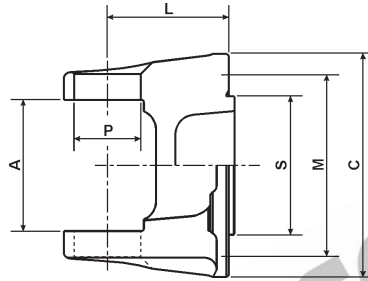
PART No.	FIG	STRAPS	LOCK WASHER	CAP SCREW	A	B	C	D	SUITS SHAFT SERIES
106	5	2	4	4		38.10 1.500	1/4-28	27.39 1.078	21R
102	4	2	4	4	47.62 1.875	35.72 1.406	5/16-24UNF	26.99 1.038	9" Yokes - 1-1/16" CAPS
105	4	2	4	4	50.00 1.969	40.48 1.594	5/16-18UNF	28.57 1.125	9" Yokes - 1-1/8" CAPS

www.hardyspicer.com.au

Document No:	HSDSCAT
Issue:	9
Issue Date:	18/07/19

21R MECHANICS TYPE

A = 54.00
2.126
P = 27.39
1.078



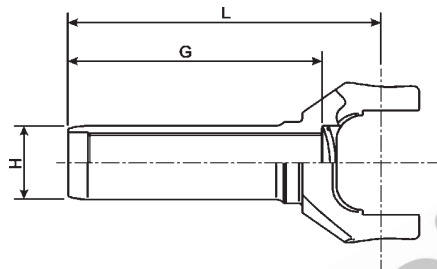
21R FLANGE YOKE

PART No.	FLANGE DIA.	C/L OF U.J. TO FACE	SPIGOT DIA	P.C.D.	BOLT HOLE PATTERN	No. HOLES	HOLE DIA	DESCRIPTION
	C	L	M=MALE F=FEMALE S	M	M			
21R-2-503	90.00 3.543	43.00 1.690	M-44.97 1.770	73.00 2.874	45.70 x 56.70 1.799 x 2.232	4	8.30 0.327	MAZDA
21R-2-505	90.00 3.543	43.00 1.690	M-44.97 1.770	74.50 2.933	46.00 x 59.00 1.810 x 2.323	4	8.30 0.327	MAZDA ROTARY
21S-2-455	107.00 4.212	40.00 1.575	M-44.97 1.770	89.08 3.507	63.00 x 63.00 2.480 x 2.480	4	8.30 0.327	MAZDA
21S-2-453	119.00 4.685	40.00 1.575	M-44.97 1.770	96.16 3.786	68.00 x 68.00 2.677 x 2.677	4	10.15 0.400	MAZDA
21S-2-452	128.00 5.039	40.00 1.575	M-44.97 1.770	104.70 4.122	74.00 x 74.00 2.913 x 2.913	4	10.15 0.400	MAZDA
21R-2-501	92.00 3.622	40.00 1.575	M-50.00 1.969	75.00 2.953	48.00 x 58.00 1.889 x 2.283	4	8.50 0.335	NISSAN 300ZX (CENTRE)
21R-2-1309	102.50 4.251	43.00 1.693	M-50.00 1.969	81.28 3.200	57.50 x 57.50 2.264 x 2.264	4	10.50 0.413	NISSAN 300ZX (REAR)
21R-2-456	109.50 4.311	46.00 1.811	F-50.83 2.001	88.90 3.500	62.90 x 62.90 2.476 x 2.476	4	10.68 0.420	GM INDONESIA
21R-2-460	109.50 4.311	46.00 1.811	F-50.83 2.001	88.90 3.500	62.90 x 62.90 2.476 x 2.476	4	12.90 0.508	FALCON NLA USE 21R-2-456 DRILL HOLES
21R-2-444	92.00 3.662	38.00 1.496	M-57.00 2.244	77.83 3.025	67.40 x 38.92 2.653 x 1.532	4	10.50 0.413	COMMODORE
21R-2-446	92.00 3.662	50.00 1.968	M-57.00 2.244	77.83 3.025	67.40 x 38.92 2.653 x 1.532	4	10.50 0.413	COMMODORE IRS
21R-2-457	96.82 3.812	30.15 1.187	M-60.33 2.375	79.38 3.125	60.80 x 51.02 2.394 x 2.009	4	9.68 0.381	21R TO 1310 FACE
21R-2-SF	108.50 4.272	40.00 1.575	M-58.50 2.303	N/A	N/A	N/A	N/A	SEMI FINISHED FULL ROUND

www.hardyspicer.com.au

Document No:	HSDSCAT
Issue:	9
Issue Date:	18/07/19

MECHANICS TYPE 21R



21R

SLIP YOKE

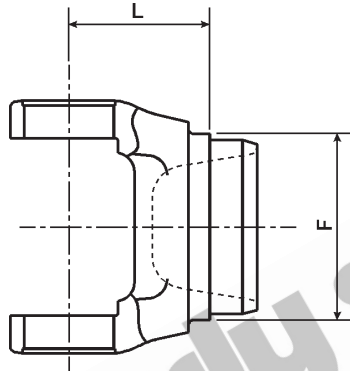
PART No.	No. OF SPLINES	SPLINE		GROUND SLEEVE DIA. H	C/L TO END L	LENGTH OF HOLE G	COMMENTS
		MAJOR DIA.	MINOR DIA.				
21R-3-3408	16-STR	38.10 1.500	33.00 1.300	N/A	145.70 5.736	117.80 4.638	1350 SPLINE WITH DUST CAP
21R-3-3208	21-INV	27.96 1.101	25.58 1.007	37.97 1.475	145.20 5.717	115.05 4.530	TOYOTA 5 SPEED
21S-3-3328	22-INV	25.40 1.000	22.22 0.875	34.92 1.375	145.00 5.709	116.00 4.567	MAZDA, EARLY MODELS
21R-3-3558	23-INV	30.48 1.200	28.50 1.122	39.95 1.573	156.70 6.169	112.00 4.409	TOYOTA SUPRA TURBO
21R-3-3138	24-INV	25.52 1.005	23.00 0.906	34.95 1.376	155.00 6.102	127.00 5.000	SKYLINE MANUAL
21S-3-3318	25-INV	28.27 1.113	25.11 0.989	37.93 1.493	152.00 5.984	123.00 4.843	MAZDA LATE MODEL
21R-3-3548	25-INV	28.27 1.113	25.11 0.989	34.93 1.375	152.00 5.984	125.00 4.921	FORD TRANSIT
21R-3-3140	26-INV	28.52 1.123	26.00 1.024	37.95 1.494	155.00 6.102	126.00 4.961	VL COMMODORE AUTO SKYLINE AUTO
21S-3-3288	26-INV	29.41 1.158	26.60 1.047	39.68 1.562	174.00 6.850	145.50 5.728	CHRYSLER
21R-3-3168	27-INV	30.23 1.190	27.94 1.100	38.15 1.502	155.00 6.102	126.00 4.961	COMMODORE VN AUTO TURBO 700, T56 VT GEN3 6SPD MAN
21R-3-3158	28-INV	30.98 1.220	27.76 1.093	38.02 1.497	155.00 6.102	126.00 4.961	FORD MANUAL / AUTO C4, C10, T5, VT 5.0L 5SPD MAN 4SPD AUTO, COMMODORE VN MAN
21S-3-3248	30-INV	33.53 1.320	30.73 1.210	42.65 1.680	204.00 8.031	175.00 6.890	VALIANT TORQUE FLIGHT 29 BASED ON 30
21R-3-3738	30-INV	32.61 1.284	30.00 0.000	42.00 1.652	154.00 6.063	124.00 4.882	NISSAN 300ZX / VL COMMODORE TURBO
21R-3-3098	31-INV	35.33 1.391	32.10 1.264	42.85 1.687	157.00 6.181	126.30 4.927	FORD C6, FMX, TOPLOADER ONLY

www.hardyspicer.com.au

Document No:	HSDSCAT
Issue:	9
Issue Date:	18/07/19

21R MECHANICS TYPE

BUTT TYPE
H=HOLLOW
S=SOLID



21R WELD YOKE

PART No.	C/LINE TO POINT OF WELD L	TUBE O.D. & WALL THICKNESS F	TUBE PART No.	BUTT TYPE	COMMENTS
21R-26-361	43.00 1.693	57.15 x 2.41 2.250 x 0.095	1813-0000	H	
21R-26-373	43.00 1.693	65.00 x 1.60 2.560 x 0.063	2016-0000	H	
21S-26-363	37.60 1.480	69.85 x 1.65 2.750 x 0.065	2216-0000	H	
21R-26-357	38.00 1.496	76.20 x 1.65 3.000 x 0.065	2416-0000	H	
21R-26-356	38.00 1.496	82.55 x 1.65 3.250 x 0.065	2615-0000	H	

21R MID SHIP ASSEMBLY

**Note : Commodore / Skyline Applications Use
17R or 2R Mid Ship Assembly
For Performance Applications Use FD- Mid Ship Assemblies.
Refer Page B4:21**

www.hardyspicer.com.au

Document No:	HSDSCAT
Issue:	9
Issue Date:	18/07/19

MECHANICS TYPE 25R

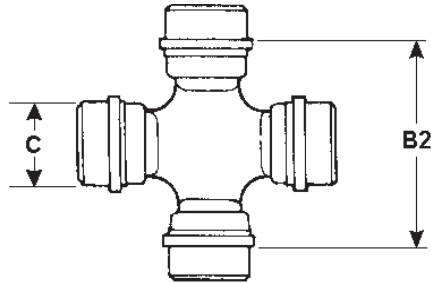


Fig 1

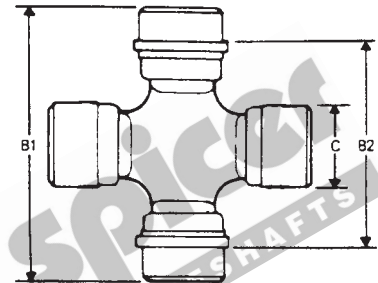


Fig 2

25R STANDARD UNIVERSAL JOINT

PART No.	FIG	C	B2	LUBE	DESCRIPTION
<i>RUJ-2500</i>	1	28.58	59.53	NIL	STANDARD JOINT
<i>RUJ-2500R</i>	1	28.58	59.53	NIL	PREMIUM THRUST WASHER TYPE
<i>RUJ-2503</i>	1	28.58	59.53	CAP	GREASABLE

25R CONVERSION UNIVERSAL JOINT

PART No.	FIG	C	B1	B2	E	F	LUBE	DESCRIPTION
<i>RUJ-2502</i>	2	28.58 26.99	81.76	59.53			NIL	25R SERIES TO 1310 SERIES

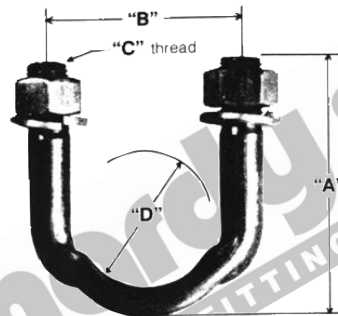


Fig 4

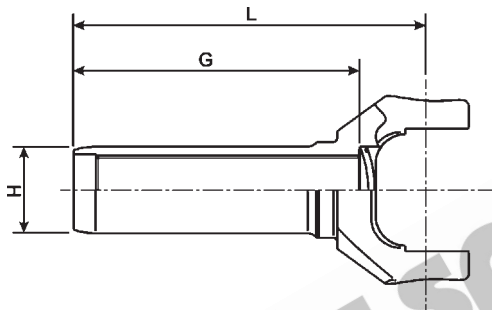
U/BOLT KIT

PART No.	FIG	U-BOLTS	LOCK WASHER	HEX NUT	A	B	C	D	SUITS SHAFT SERIES
<i>25R-94-11</i>	4	2	4	4	62.00 2.441	39.70 1.562	5/16-24UNF	28.58 1.125	25R 2 x U/Bolts, 4 x nuts, 4 x S/Washers
<i>102</i>	4	2	4	4	47.62 1.875	35.72 1.406	5/16-24UNF	26.99 1.038	9" Yokes - 1-1/16" CAPS
<i>105</i>	4	2	4	4	50.00 1.969	40.48 1.594	5/16-18UNC	28.57 1.125	9" Yokes - 1-1/8" CAPS

www.hardyspicer.com.au

Document No:	HSDSCAT
Issue:	9
Issue Date:	18/07/19

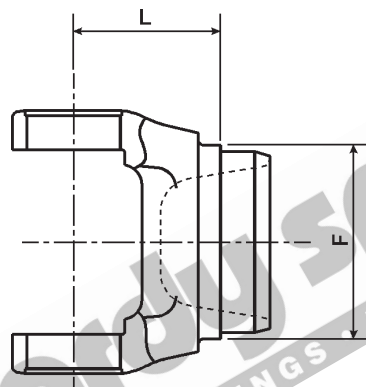
25R MECHANICS TYPE



25R SLIP YOKE

PART No.	No. OF SPLINES	SPLINE		GROUND SLEEVE DIA. H	C/L TO END L	LENGTH OF HOLE G	COMMENTS
		MAJOR DIA.	MINOR DIA.				
25R-3-1908	14-INV	31.80 1.252	27.58 1.068	41.25 1.624	90.47 3.562	58.72 2.312	JOHN DEERE
25R-3-3308	16	34.84 1.372	30.18 1.188	44.73 1.761	181.32 7.139	148.73 5.856	SUITS 1310 SPICER STUB
25R-3-1488	27-INV	30.22 1.190	27.94 1.100	38.15 1.502	149.20 5.874	116.67 4.593	HOLDEN 1 TONNE
25R-3-1538	32-INV	35.48 1.397	33.20 1.307	47.87 1.885	182.30 7.177	148.20 5.835	HOLDEN 350 V8 AUTO TURBO 400

BUTT TYPE
H=HOLLOW
S=SOLID



25R WELD YOKE

PART No.	C/LINE TO POINT OF WELD L	TUBE O.D. & WALL THICKNESS F	TUBE PART No.	BUTT TYPE	COMMENTS
25R-26-296	41.00 1.614	57.15 x 2.41 2.250 x 0.095	1813-0000	H	
25R-26-222	46.00 1.811	63.50 x 1.65 2.500 x 0.065	2016-0000	H	
25R-26-215	46.00 1.811	69.85 x 1.65 2.750 x 0.065	2216-0000	H	
25R-26-216	46.00 1.811	76.20 x 1.65 3.000 x 0.065	2416-0000	H	

www.hardyspicer.com.au

Document No:	HSDSCAT
Issue:	9
Issue Date:	18/07/19

MECHANICS TYPE 3R

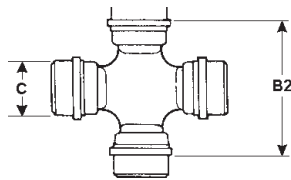


Fig 1

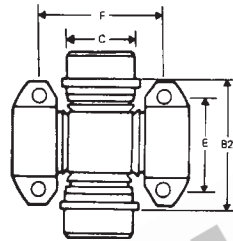


Fig 2

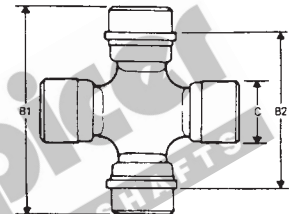


Fig 3

3R STANDARD UNIVERSAL JOINT

PART No.	FIG	C	B2	LUBE	DESCRIPTION
114-3105	1	28.58	65.10	SIDE	STANDARD JOINT
114-3105HD	1	28.58	65.10	SIDE	SOLID CROSS HEAVY DUTY JOINT

3R CONVERSION UNIVERSAL JOINT

PART No.	FIG	C	B1	B2	E	F	LUBE	DESCRIPTION
114-3102	2	28.58		65.10	36.52	69.85	SIDE	3R SERIES TO 3C SERIES
114-596	3	26.99 28.58	92.08	65.10			SIDE	1330 SERIES TO 3R SERIES

* If a NEW shaft is required use 1310 Series or 1330 Series preferred.

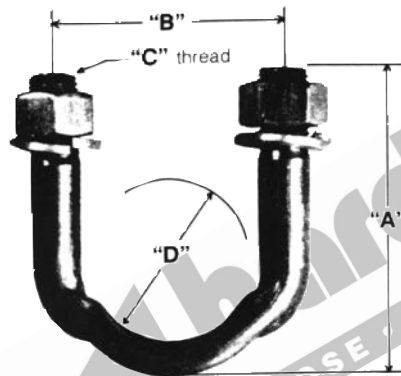


Fig 4

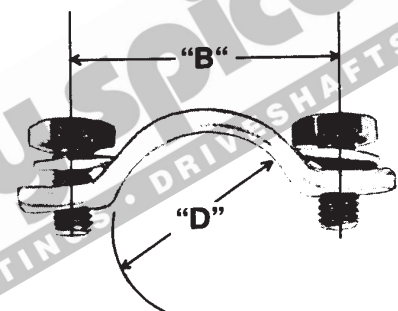


Fig 5

"C" = Hex Head Cap Screw Size

STRAP & U/BOLT KIT

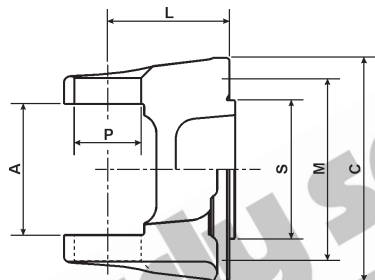
PART No.	FIG	STRAPS	LOCK WASHER	CAP SCREW	A	B	C	D	SUITS SHAFT SERIES
108	5	2	4	4		46.04 1.812	5/16-24	28.57 1.125	3R
102	4	2	4	4	47.62 1.875	35.72 1.406	5/16-24UNF	26.99 1.038	9" Yokes - 1-1/16" CAPS
105	4	2	4	4	50.00 1.969	40.48 1.594	5/16-18UNF	28.57 1.125	9" Yokes - 1-1/8" CAPS

www.hardyspicer.com.au

Document No:	HSDSCAT
Issue:	9
Issue Date:	18/07/19

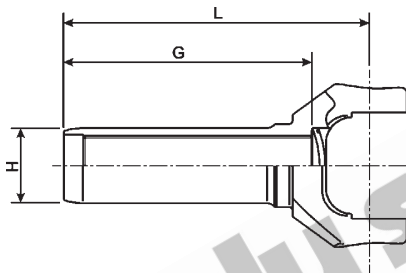
3R MECHANICS TYPE

C = 28.58
1.125
B2 = 65.10
2.563



3R FLANGE YOKE

PART No.	FLANGE DIA.	C/L OF U.J. TO FACE	SPIGOT DIA M=MALE F=FEMALE	P.C.D.	BOLT HOLE PATTERN	No. HOLES	HOLE DIA	DESCRIPTION
3R-2-8268	C 125.48 4.940	L 42.93 1.690	S F-79.37 3.125	107.95 4.250	M 76.20 x 76.20 3.000 x 3.000	4	11.38 0.448	



3R SLIP YOKE

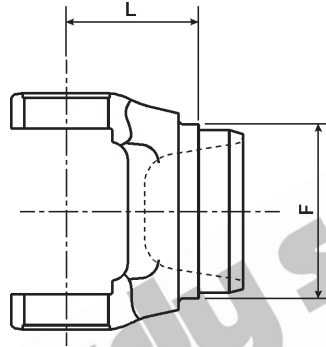
PART No.	No. OF SPLINES	SPLINE		GROUND SLEEVE DIA. H	C/L TO END L	LENGTH OF HOLE G	COMMENTS
		MAJOR DIA.	MINOR DIA.				
3R-3-6081X	27-INV	30.22 1.190	27.94 1.100	38.15 1.502	138.94 5.470	116.59 4.590	TURBO 350 / 700
3R-3-9131X	32-INV	35.48 1.397	33.20 1.307	47.87 1.885	190.50 7.500	165.10 6.500	TURBO 400

www.hardyspicer.com.au

Document No:	HSDSCAT
Issue:	9
Issue Date:	18/07/19

MECHANICS TYPE 3R

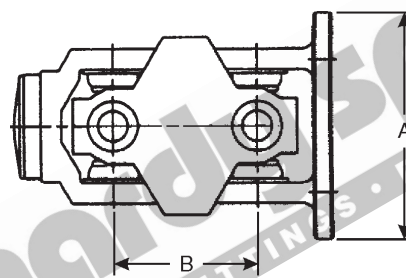
BUTT TYPE
H=HOLLOW
S=SOLID



3R

WELD YOKE

PART No.	C/LINE TO POINT OF WELD L	TUBE O.D. & WALL THICKNESS F	TUBE PART No.	BUTT TYPE	COMMENTS
3R-28-307	44.45 1.750	69.85 x 1.65 2.750 x 0.065	2216-0000	H	
3R-28-327	47.75 1.880	76.20 x 1.65 3.000 x 0.065	2416-0000	H	



3R

DOUBLE CARDAN ASSEMBLY

PART No.	FLANGE DIA. A	P.C.D. 4.250	No HOLES	SPIGOT DIA. F-3.125	C/LINE TO C/LINE B 3.250	TUBE SIZE 2.000 X 0.120	BALL REPAIR KIT PART No. CVK2A	COMMENTS
4137268	125.50 5.125	107.95 4.250	4	F-79.38 F-3.125	82.55 3.250	50.80 X 3.05 2.000 X 0.120	CVK2A	SUITS ARMY LANDROVER 6X6

Centre H Bar Yoke **3R-26-057** (3.250" C-C)
Other centre kits are available for 3R cardan assemblies.

www.hardyspicer.com.au

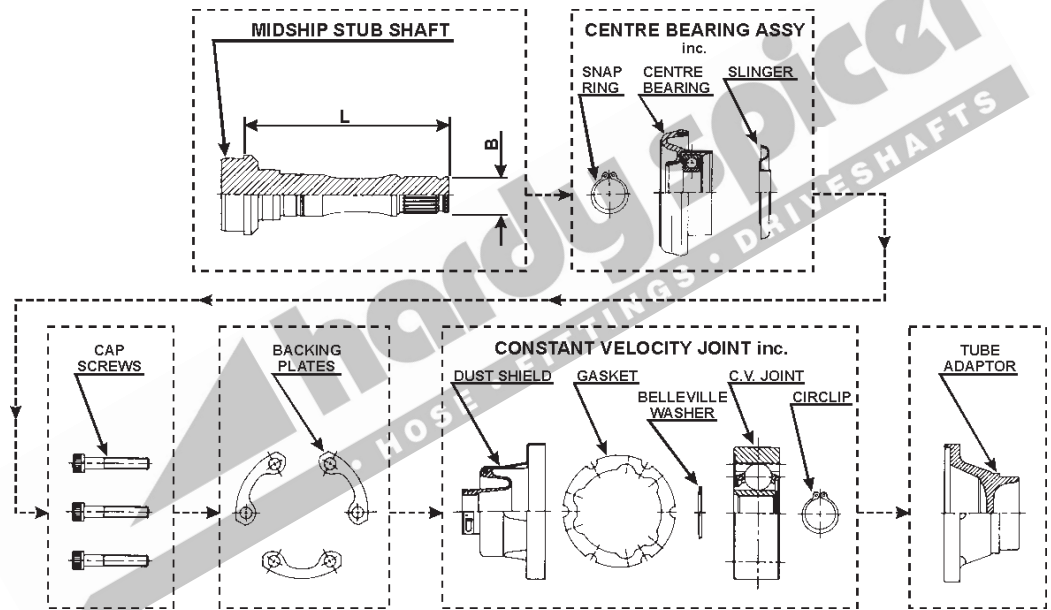
Document No:	HSDSCAT
Issue:	9
Issue Date:	18/07/19



www.hardyspicer.com.au

Document No:	HSDSCAT
Issue:	9
Issue Date:	18/07/19

MID SHIP ASSEMBLIES



MID SHIP ASSEMBLIES

MIDSHIP STUB SHAFT PART No.	SPLINE DIA. & No. B	END OF SPLINE TO POINT OF WELD L	TUBE PART No. & SIZE	BEARING I.D.	CENTRE BEARING PART No.	CV JOINT	TUBE ADAPTOR PART No.	COMMENTS
17R-56-5821	26.46-24	144.00	1813-0000	30.00	CB-952	CV-856	679-R08	CAP SCREW 6 x 608-R95 + BACKING PLATE 3 x 806-R15
NLA	1.083	5.433	2.250 x 0.095	1.181				
2R-56-5861	27.50-25	138.00	1813-0000	30.00	CB-952	CV-855A	679-R09 #	CAP SCREW 6 x 608-R95 + BACKING PLATE 3 x 806-R16
	1.083	5.433	2.250 x 0.095	1.181				
2R-56-5861-25	27.50-25	138.00	2014-0000	30.00	CB-952	CV-855A	679-R09 #	CAP SCREW 6 x 608-R95 + BACKING PLATE 3 x 806-R16
	1.083	5.433	2.500 x 0.083	1.181				
FD-56-2918	30.30-28	140.00	2013-0000	35.00	211187X	CV-862	679-R11	CAP SCREW 6 BACKING PLATE 3 x 806-R25
	1.193	5.512	2.500 x 0.095	1.378	FD-30-5835			
FD-56-2918-30	30.30-28	140.00	2414-0000	35.00	211187X	CV-862	679-R11	CAP SCREW 6 BACKING PLATE 3 x 806-R25
	1.193	5.512	3.000 x 0.083	1.378	FD-30-5835			

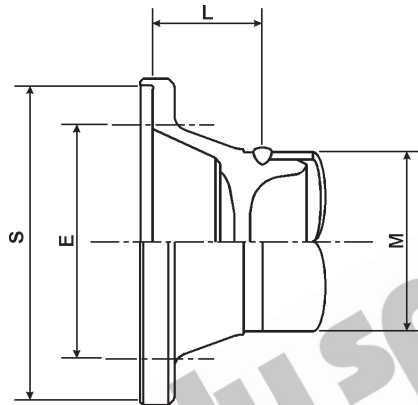
Note :
 Replacement Boot Kit Only for CV-856 = CV-852
 Replacement Boot Kit Only for CV-855A = CV-853
 Replacement Boot Kit Only for CV-862 = CV-863

Other adaptors available for larger tube diameters,
 Refer page B4:20

www.hardyspicer.com.au

Document No:	HSDSCAT
Issue:	9
Issue Date:	18/07/19

MID SHIP ASSEMBLIES



MECHANICS

TUBE ADAPTORS

PART No.	FLANGE	TAPPED BOLT HOLES		No. OF	TUBE O.D. & WALL THICKNESS	TUBE PART No.	ADAPTOR	SUITS CV JOINT PART No.
	INSIDE DIA.	P.C.D.	THREAD SIZE				FACE TO POINT OF WELD	
	S	E			M		L	
679-R08	94.00 3.701	80.00 3.150	M8 x 1.25	6	57.15 x 2.41 2.250 x 0.095	1813-0000	39.00 1.535	CV-856
679-R09	99.79 3.929	86.00 3.386	M8 x 1.25	6	57.15 x 2.41 2.250 x 0.095	1813-0000	35.00 1.378	CV-855A
679-R10	99.99 3.937	86.00 3.386	M8 x 1.25	6	63.50 x 2.41 2.500 x 0.095	2013-0000	35.00 1.378	CV-855A
679-R11	108.00 4.252	94.00 3.701	M10 x 1.25	6	63.50 x 2.41 2.500 x 0.095	2013-0000	42.00 1.654	CV-862
679-R12	99.99 3.937	86.00 3.386	M8 x 1.25	6	76.20 x 1.65 3.000 x 0.065	2416-0000	35.00 1.378	CV-855A
679-R13	98.00 3.858	86.00 3.386	M8 x 1.25	6	63.50 x 2.11 2.500 x 0.083	2014-0000	35.00 1.378	CV-861
679-R14	98.00 3.858	86.00 3.386	M8 x 1.25	6	76.20 x 2.11 3.000 x 0.083	2414-0000	35.00 1.378	CV-861

www.hardyspicer.com.au

Document No:	HSDSCAT
Issue:	9
Issue Date:	18/07/19

TRIPOD COUPLING TYPE

FORD

Application	Image	Part No.	PCD	Bolt Dia	OD	Bore	Width
BA FALCON 6 cyl (EXCEPT TURBO) 5 Speed MAN/4 Speed AUTO BF FALCON 6 cyl 5 Speed MAN/4 Speed AUTO		GAJ-1-0	96mm	12mm	134mm	50mm	35mm
BA/BF SERIES I FALCON V8 & TURBO 6 cyl BA MKII 6 cyl 6 Speed AUTO BF 6 cyl SERIES I 6 Speed AUTO		GAG03-001-0	105mm	12mm	142mm	56mm	32/35mm Inc. 18mm Spigot
BF FALCON SERIES II on FG FALCON		GAD03-001-0	110mm	12mm	148mm	56mm	32/35mm Inc. 18mm Spigot
TRANSIT		GAF01-003-0	105mm	12mm	142mm	56mm	32/35mm Inc. 18mm Spigot
TRANSIT		GAF01-002-0	120mm	14mm	160mm	64mm	40.5 / 43.5mm Inc. 20mm Spigot

HOLDEN

Application	Image	Part No.	PCD	Bolt Dia	OD	Bore	Width
COMMODORE VS / VT V6 MANUAL (Front only) (comes complete with 96RC-100-344 coupling, 6 bolts, 6 lock nuts & centre bush)		RCA-1059	96mm	12mm	133mm	49mm	30mm
COMMODORE VT SERIES 1 UP TO 6/99 V8 MANUAL (Front only) (comes complete with 100-R337 coupling, 3 bolts, 6 lock nuts)		RCA-1058	100mm	12mm	149mm	41mm	36/40mm Inc. 18mm Spigot
COMMODORE VT SERIES 2 6/99 ON 5.7L V8 GEN 3 MANUAL ONLY (Front only)		10005422	96mm	12mm	133mm	49mm	35/38mm Inc. 18mm Spigot
COMMODORE VX-VZ VE UP TO 03/2008 V6 AUTO FRONT & REAR V6 MANUAL FRONT ONLY (comes complete with 96RC-100-344 coupling, 6 bolts, 6 lock nuts)		RCA-1060	96mm	12mm	132mm	50mm	30mm
COMMODORE VX-VZ V8 MANUAL & AUTO F&R ALL VX-VE TO 03/08 REAR (EXCEPT V6 AUTO) (comes complete with 100-R324 coupling, 3 bolts, 3 lock nuts)		RCA-1061	96mm	12mm	133mm	49mm	35mm

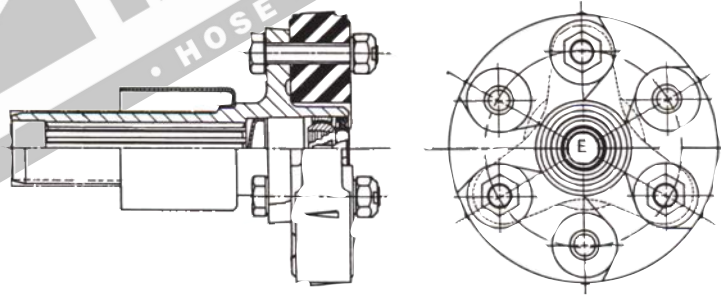
www.hardyspicer.com.au

Document No:	HSDSCAT
Issue:	9
Issue Date:	18/07/19

TRIPOD COUPLING TYPE

HOLDEN Cont.

Application	Image	Part No.	PCD	Bolt Dia	OD	Bore	Width
COMMODORE VE V8 FRONT & REAR CREWMAN 2004 on V8 AUTO VZ CAB CHASSIS (SOME VZ HSV APPLICATIONS)		RCA-1062	110mm	12mm	152mm	58mm	35/38.5mm Inc. 18mm Spigot
(comes complete with coupling, 6 bolts, 6 lock nuts & centre bush)							
COMMODORE VE V6 FRONT & REAR 3/2008 on		10175274	105mm	12mm	141mm	56mm	32/35mm Inc. 18mm Spigot



TRIPOD

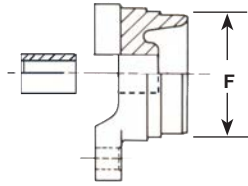
SLIP YOKE

PART No.	No. OF SPLINES	SPLINE		GROUND SLEEVE DIA. H	C/L TO END L	LENGTH OF HOLE G	COMMENTS
		MAJOR DIA.	MINOR DIA.				
96RC-3-3168	27-INV	30.23 1.190	27.94 1.100	38.15 1.502	135.00 5.315	115.00 4.528	VX COMMODORE ON VT GEN3 6SPD MAN T56 96mm P.C.D. COUPLING NOT INCL.
105RC-3-7747	27-INV	30.23 1.190	27.94 1.100	38.15 1.502	133.00 5.236	115.00 4.528	VE (MY09) V6 3/2008 ON 105mm P.C.D. COUPLING NOT INCL.
110RC-3-5146	27-INV	30.23 1.190	27.94 1.100	38.15 1.502	.	.	VE COMMODORE V8 110mm P.C.D. COUPLING NOT INCL.
96RC-3-3580	28-INV	30.98 1.220	27.76 1.093	38.02 1.497	161.00 6.339	141.00 5.551	BA FALCON, VT V8 MAN 5.0L ONLY T5 96mm P.C.D. COUPLING NOT INCL.
105RC-3-1776	31-INV	35.30 1.390					FALCON 105mm P.C.D. COUPLING NOT INCL.

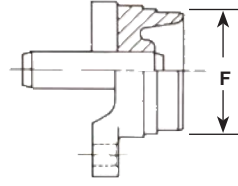
www.hardyspicer.com.au

Document No:	HSDSCAT
Issue:	9
Issue Date:	18/07/19

TRIPOD COUPLING TYPE



BUSH TYPE



PIN TYPE



TRIPOD

WELD YOKE

PART No.	P.C.D. E	TUBE O.D. & WALL THICKNESS F	TUBE PART No.	TYPE	COMMENTS
96RC-26-3918	96.00 3.780	54.00 x 1.65 2.125 x 0.065		PIN	16mm PIN & SPIGOT BOLT FACES
96RC-26-U687	96.00 3.780	63.50 x 2.10 2.500 x 0.083	2014-0000	PIN	16mm PIN - NO SPIGOT FORD
96RC-26-4008	96.00 3.780	54.00 x 1.65 2.125 x 0.065		PIN	16mm PIN - NO SPIGOT
96RC-26-4018	96.00 3.780	54.00 x 1.65 2.125 x 0.065		BUSH	14mm BUSH - NO SPIGOT
96RC-26-4028	96.00 3.780	54.00 x 1.65 2.125 x 0.067		BUSH	16mm BUSH - NO SPIGOT
96RC-26-6016	96.00 3.780	60.00 x 1.70 2.125 x 0.065		BUSH	16mm BUSH - NO SPIGOT VE V6 MY07
110RC-26-7494	110.00 4.331	60.00 x 1.75 2.362 x 0.069		PIN	16mm PIN - 18mm BOLT SPIGOT
110RC-26-7495	110.00 4.331	60.00 x 1.75 2.362 x 0.069		BUSH	16mm BUSH - 18mm BOLT SPIGOT
110RC-26-U1263	110.00 4.331	63.50 x 2.10 2.500 x 0.083	2014-0000	BUSH	16mm BUSH - 18mm BOLT SPIGOT FORD
105RC-26-7745*	105.00 4.134			PIN	16mm PIN - 18mm BOLT SPIGOT VE (MY09) V6 3/2008 - FRONT
105RC-26-U686	105.00 4.134	63.50 x 2.10 2.500 x 0.083	2014-0000	PIN	16mm PIN - 18mm BOLT SPIGOT FORD
105RC-26-5267*	105.00 4.134			BUSH	16mm BUSH - 18mm BOLT SPIGOT VE (MY09) V6 3/2008 - REAR

* WILL ALSO SUIT SOME FORDS WHEN USED WITH A TUBE COLLAR

www.hardyspicer.com.au

Document No:	HSDSCAT
Issue:	9
Issue Date:	18/07/19

INDENT ONLY

TRIPOD COUPLING TYPE

CENTERING BUSH

Application	Image	Part No.	Length	OD	Bore
SUITS MOST COMMODORE & MOST FORD SHAFTS		UD-32-140	48.5mm	32mm	16mm
SUITS COMMODORE 14mm MAINLY FIXED G/BOX FLANGE TYPE		UD-32-138	48.5mm	32mm	14mm
SUITS FORD 16mm		UD-32-146	48.5mm	37mm	16mm
SUITS CHRYSLER 16mm		UD-32-732 #	50.8mm	31mm	16mm
SUITS BMW 14mm PIN SOME		2719-806 #	20.3mm	28mm	14mm

INDENT ONLY

www.hardyspicer.com.au

Document No:	HSDSCAT
Issue:	9
Issue Date:	18/07/19