

## INDEX

### SECTION B:1

#### UNIVERSAL JOINT KITS - CENTRE BEARINGS RUBBER DRIVE COUPLINGS - CV JOINTS

#### DESCRIPTION

#### SECTION

##### **APPLICATION LISTING**

Austin, Chrysler, Daihatsu .....	B:1-5
Daimler, Fiat, Ford .....	B:1-6
Holden .....	B:1-9
Hyundai, Jaguar, Jeep, Kia .....	B:1-12
Lada, Leyland, Mazda .....	B:1-13
Mitsubishi .....	B:1-16
Nissan .....	B:1-17
Rover, Subaru .....	B:1-20
Suzuki, Toyota .....	B:1-21
Triumph, Volvo .....	B:1-25

##### **UNIVERSAL JOINTS**

IDENTIFICATION OF UNIVERSAL JOINTS .....	B:1-27
HOW TO MEASURE UNIVERSAL JOINTS .....	B:1-28
IDENTIFICATION BY PART NUMBER .....	B:1-29
IDENTIFICATION BY PART SIZE .....	B:1-33
HARDWARE KITS .....	B:1-43
HARDWARE TORQUE SPECIFICATIONS .....	B:1-44
CIRCLIPS .....	B:1-45

##### **CENTRE BEARINGS**

BMW, Chevrolet, Daihatsu .....	B:1-46
Ford .....	B:1-47
Hardy Spicer "D" shape .....	B:1-49
Hino .....	B:1-51
Holden .....	B:1-52
Honda, Isuzu, Land Rover .....	B:1-53
Mack, Mazda .....	B:1-54
Mercedes .....	B:1-56
Mitsubishi .....	B:1-57
Nissan .....	B:1-58
Scania .....	B:1-59
Subaru, Toyota .....	B:1-60
Volvo .....	B:1-64

www.hardyspicer.com.au

Document No:	HSRWDCAT
Issue:	9
Issue Date:	01/03/07

This catalogue is the copyright  
of Hardy Spicer

# INDEX

## SECTION B:1

### UNIVERSAL JOINT KITS - CENTRE BEARINGS RUBBER DRIVE COUPLINGS - CV JOINTS

DESCRIPTION	SECTION
<b><u>RUBBER DRIVE COUPLINGS</u></b>	
Ford, Holden.....	B:1-65
Hyundai, Land Rover, Nissan.....	B:1-67
Toyota.....	B:1-68
<b><u>PROPELLER SHAFT CV JOINTS</u></b>	
Ford.....	B:1-69
Holden, Jeep.....	B:1-70
Nissan.....	B:1-71

[www.hardyspicer.com.au](http://www.hardyspicer.com.au)

Document No:	HSRWDCAT
Issue:	9
Issue Date:	01/03/07

This catalogue is the copyright of Hardy Spicer

# DISCLAIMER & WARRANTY

## Disclaimer

The information and dimensions listed in these catalogues is correct to the best of our knowledge and belief, having been compiled from reliable and official sources of information. However Hardy Spicer Driveshaft and Hydraulic Services (HS Company Pty Ltd) accepts no responsibility for possible errors, omissions or unsuitable parts being listed or fitted to any vehicle. Dimensions listed are nominal throughout.

Due to our continuous product and range development we reserve the right to alter the specification without prior notice.

We welcome any feedback re suspected errors or omissions to the information enclosed. We can be contacted via email [hspicer@hardyspicer.com.au](mailto:hspicer@hardyspicer.com.au)

Or via Ph 03 9794 1900 or Fax 03 97069928

Alternatively via mail at PO Box 4262 Dandenong South Vic. 3164

## Warranty Policy - Driveshafts and Components (Also please refer Terms and Conditions on rear of Invoice)

Hardy Spicer Driveshaft and Hydraulic Services (HS Company Pty Ltd) warrants to the original purchaser that Universal Joints, Driveshaft Components and Driveshaft assemblies purchased from the Company will be free of defects in materials and workmanship subject to the following conditions.

The period of warranty will be for

- a. Passenger Vehicles (used exclusively on formed roads) 12 months or 20,000 km's whichever occurs first.
- b. Commercial or Off Road vehicles 3 months or 250 hrs whichever occurs first.

Claims for replacement of parts will only be processed after inspection and acceptance by the Company and/or its supplier that product is defective in materials or workmanship. These items should be returned freight pre-paid by the purchaser with proof of purchase and documentation stating the reason for the warranty claim.

This Warranty is subject to the following limitations:

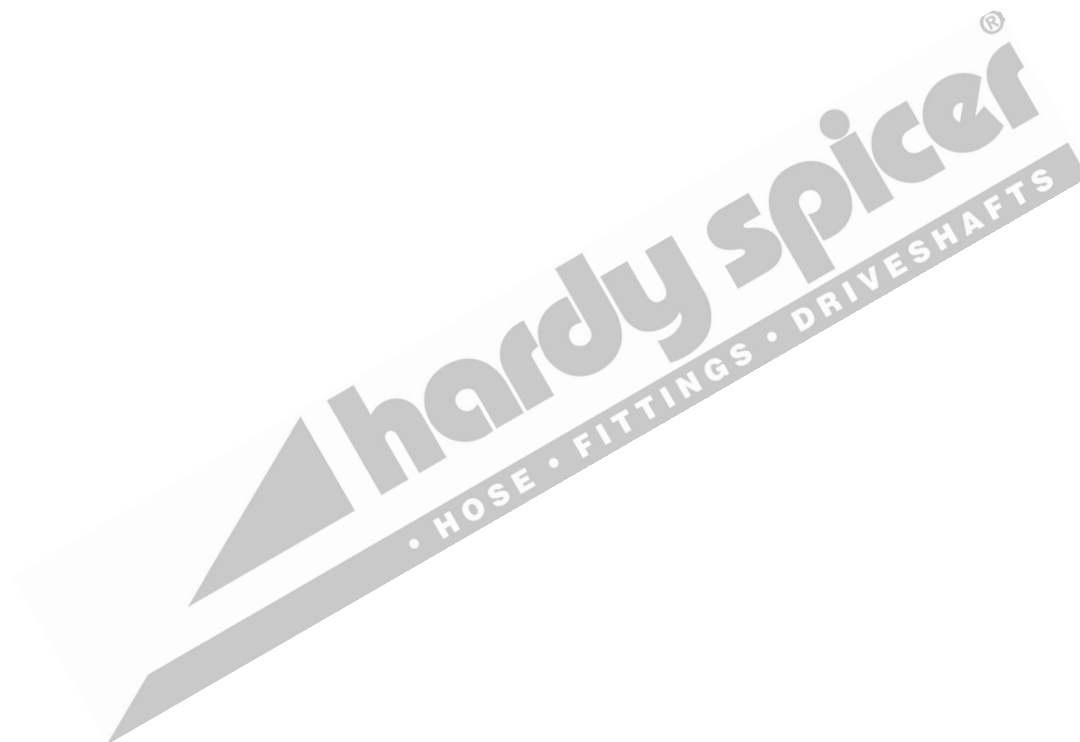
- a. Damage caused by improper installation, negligence, misuse, failure to follow our instructions or recommendations, or alterations or repair of goods without our approval.
- b. "Staked Replacement" joints are excluded due to torque capacity limitations of this replacement design. These should be used as an Emergency repair only. Hardy Spicer sell a range of replacement components rated to match or exceed the original staked joint designs and we strongly recommend their use in replacing unserviceable staked joints.
- c. Any product used in vehicles subject to Racing competition of any form, Speed Trials, Performance Dyno testing or vehicles that have been modified from the Manufacturer's original specifications are excluded except for dimensional defects.
- d. Any Driveshaft or Universal Joint component directly coupled to an internal combustion engine without a torsionally resilient coupling will be excluded from any claim.

Liability under this warranty is limited to the replacement of the component supplied if accepted by the Company to be defective in materials or workmanship. No liability is accepted for any consequential damage, transport, removal, installation, towing including loss of profits or other economic loss.

[www.hardyspicer.com.au](http://www.hardyspicer.com.au)

Document No:	HSRWDCAT
Issue:	9
Issue Date:	01/03/07

This catalogue is the copyright  
of Hardy Spicer



[www.hardyspicer.com.au](http://www.hardyspicer.com.au)

Document No:	HSRWDCAT
Issue:	9
Issue Date:	01/03/07

This catalogue is the copyright of Hardy Spicer

Document No:	HSRWDCAT
Issue:	9
Issue Date:	01/03/07

# APPLICATION LISTING

Make	Year	Joint Position			Notes	
		Front	Middle	Rear		
<b>AUSTIN</b>						
1800	MANUAL	65-70	K5-A514		N/A	INNER HALF SHAFT
	AUTO	65-70	K5-L4R		N/A	INNER HALF SHAFT
TASMAN, KIMBERLEY		70-73	K5-A514		N/A	INNER HALF SHAFT
<b>CHRYSLER</b>						
GENTURA	KB,KC	75-78	RUJ-2038R		RUJ-2038R	6 CYL
VALIANT	AP5,AP6, VC MANUAL	62-69	114-67R		RUJ-2038R	
	VC(AUTO), VE - CM	66-78	RUJ-2038R		RUJ-2038R	EXC CHARGER D74
	VJ, VK CHARGER	73-76	RUJ-2038R		114-232	D74 & H/D AXLE(SURE GRIP)
<b>DAIHATSU</b>						
HI JET	S38,40,60,65,70	72-84	K5-A510		K5-A510	
	S75,85	84-90	RUJ-1500		RUJ-1500	
	S76 4WD	84-86	K5-A510		K5-A510	FRONT SHAFT
	S76 4WD	84-86	RUJ-1500		RUJ-1500	REAR SHAFT
DELTA	ALL	73-77	K5-A522		K5-A522	EXC SOME 3.0L MODELS(RUJ-2505)
	ALL	77-8/84	RUJ-2505	RUJ-2505	RUJ-2505	
F SERIES	F10	74-3/75	K5-A522		K5-A522	
	ALL F SERIES & SCAT	4/75-85	RUJ-2023		RUJ-2023	
FEROZA 4WD	F300,F310	10/88-1/99	RUJ-1500		RUJ-1500	FRONT SHAFT
	F300,F310	10/88-1/99	K5-A522		K5-A522	REAR SHAFT
ROCKY 4WD	ALL MODELS	84-93	RUJ-2023		RUJ-2023	FRONT & REAR SHAFT (INT SNAP RING TYPE)SOME
			K5-A522		K5-A522	FRONT & REAR SHAFT (EXT CIRCLIP TYPE) MOST
	F78 SPORTS WAGON	9/93-1/99	K5-A522		K5-A522	FRONT & REAR SHAFT
TERIOS 4WD	J100/J102 DX/SX WAGON	97 ON	RUJ-1500		RUJ-1500	FRONT & REAR SHAFT

Document No:	HSRWDCAT
Issue:	9
Issue Date:	01/03/07

# APPLICATION LISTING



Make	Year	Joint Position			Notes	
		Front	Middle	Rear		
<b>DAIMLER</b>						
DOUBLE SIX	SERES 1,2,3	72-	K5-13XR	K5-13XR	K5-13XR	DRIVE SHAFT
			K5-GB10R		K5-GB10R	HALF SHAFT
SOVEREIGN	SERIES 1,2,3	68-86	K5-13XR	K5-13XR	K5-13XR	DRIVE SHAFT
			K5-GB10R		K5-GB10R	HALF SHAFT
		86ON	K5-A757	K5-A757	K5-A757	DRIVE SHAFT
<b>FIAT</b>						
124,125,131,132		68-82	K5-LGB80R		K5-LGB80R	
130		72-76	K5-L4R		K5-L4R	
<b>FORD</b>						
CAPRI	4 CYL IMPORTED PROD	69-73	K5-GB150	K5-GB150	K5-GB150	EXTERNAL CIRCLIP TYPE
	4 CYL AUST BUILT	71-73	RUJ-1786R	RUJ-1786R	RUJ-1786R	INTERNAL SNAP RING TYPE
	V6 IMPORTED	69-	K5-A655		K5-A655	STAKED JOINT (UNSERVICEABLE WITHOUT SPECIAL TOOLING) REFER HARDY SPICER
	V6 AUST BUILT	71-	RUJ-1786R	RUJ-1786R	RUJ-1786R	INTERNAL SNAP RING TYPE
CORTINA	MK 1, 2	62-71	K5-GB150		K5-GB150	EXTERNAL CIRCLIP TYPE
	MK 1, 2	62-71	K5-A650		K5-A650	STAKED JOINT (UNSERVICEABLE WITHOUT SPECIAL TOOLING) REFER HARDY SPICER
	MK 1, 2 AUST BUILT	69-71	RUJ-1786R		RUJ-1786R	INTERNAL SNAP RING TYPE
	TC,TD,TE,TF 4 CYL ALL	71-82	RUJ-1786R	RUJ-1786R	RUJ-1786R	
	TC,TD,TE,TF 6 CYL ALL	71-82	RUJ-2038R		RUJ-2038R	
ESCORT	MK1 1100,1300,1558 T/CAM	66-3/70	K5-GB150		K5-GB150	
	MK 1 1100	4/70 ON	RUJ-1786R		RUJ-1786R	
	MK 1 1300	4/70-75	RUJ-1786R	RUJ-1786R	RUJ-1786R	
	MK 1, 2 SOME	66-81	K5-A650		K5-A650	STAKED JOINT (UNSERVICEABLE WITHOUT SPECIAL TOOLING) REFER HARDY SPICER
	MK 2 1300,1600,2000	75-81	RUJ-1786R	*RUJ-1786R	RUJ-1786R	1 AND * 2 PIECE SHAFTS
FAIRLANE (6 CYL)	ZA,ZB	67-69	K5-13XR		RUJ-2039	
	ZC	69-70	RUJ-2038R		RUJ-2029	
	ZD-NA	71-5/91	RUJ-2038R		RUJ-2038R	
	NC	6/91-95	RUJ-2038R		RUJ-2038R	STEEL SHAFTS
	NC-AU	6/91-02	K5-13XR		K5-13XR	ALUMINIUM SHAFTS

Document No:	HSRWDCAT
Issue:	9
Issue Date:	01/03/07

# APPLICATION LISTING

Make	Year	Joint Position			Notes
		Front	Middle	Rear	
<b>FORD cont.</b>					
FAIRLANE (V8)	ZA, ZB	67-69	K5-13XR		RUJ-2039
	ZC 302 3SPD MAN	69-70	RUJ-2038R		RUJ-2029
	ZC, ZD, ZF, ZG 351 FMX AUTO	69-76	K5-13XR		RUJ-2039
	ZD, ZF, ZG 302	70-76	RUJ-2038R		RUJ-2038R
	ZH 4.9L	76-79	RUJ-2038R		RUJ-2038R
	ZH 5.8L	76-79	RUJ-2038R		RUJ-2029
	ZH 5.8L	76-79	K5-13XR		RUJ-2039
	ZJ, ZK	79-84	RUJ-2038R		RUJ-2038R
	NC	6-91-95	RUJ-2038R		RUJ-2038R
	NC-AU	6/91-02	K5-13XR		K5-13XR
FALCON (6 CYL)	XK-XR	60-67	RUJ-1786R		RUJ-1786R
	XR, XT (TAXI H/D MODEL)	67-68	K5-13XR		RUJ-2039
	XT, XW 188 CU. IN	68-69	RUJ-1786R		RUJ-1786R
	XW	69-70	RUJ-2038R		RUJ-2029
	XY-XC WITH DRUM BRAKES	70-79	RUJ-2038R		RUJ-2038R
	XC WITH DISC REAR BRAKES	76-79	RUJ-2038R		RUJ-2029
	XD, XE, XF	79-88	RUJ-2038R		RUJ-2038R
	XG UTE, VAN	93-96	K5-13XR		K5-A530
	XG -XH UTE, VAN	93-99	K5-13XR		K5-13XR
	EA MAN & 3SPD AUTO	88-6/91	RUJ-2038R		RUJ-2038R
	EA AUTO SED & MPFI WAGON	88-6/91	K5-13XR		K5-13XR
	EA WAGON 4SPD AUTO TBF1	88-6/91	K5-13XR		K5-A530
	EB, ED, EF, EL AU, AU2, AU3	7/91-10/02	K5-13XR		K5-13XR
	BA SEDAN ALL 6 CYL (EXCEPT TURBO)	11/02 ON	*GAJ-1-0	K5-13XR	CV-860
	BA MKII, BF SEDAN ALL 6 CYL (EXCEPT TURBO)	10/04 ON	*GAG03-001-0	K5-13XR	CV-860
	BA, BF SEDAN 6CYL TURBO WITH CENTRE UJOINT	11/02 ON	*GAG03-001-0	K5-13XR	CV-860
	BA, BF SEDAN 6CYL TURBO WITHOUT UJOINT	11/02 ON	*GAG03-001-0	CV-862	CV-861
	BA, BF 6 CYL ALL INCL TURBO, WAGON, UTE	11/02 ON	K5-13XR		K5-13XR
FALCON (V8)	XF, XT, XW INC GT	66-69	K5-13XR		RUJ-2039
	XW, XY GTHO	69-71	RUJ-3002		RUJ-3000
	XY, XA, XB 302	70-76	RUJ-2038R		RUJ-2038R
	XA, XB 302	72-76	RUJ-2038R		RUJ-2029
	XA, XB 351 INC GT	72-76	K5-13XR		RUJ-2039
	XA, XB 351GT WITH H/D SHAFT	72-76	RUJ-3002		RUJ-3000
	XC SEDAN	76-79	RUJ-2038R		RUJ-2038R
	XC SEDAN	76-79	RUJ-2038R		RUJ-2029
	XC 351 WAGON, UTE, VAN	76-79	K5-13XR		RUJ-2039
	XD, XE,	79-84	RUJ-2038R		RUJ-2038R
	EB	7/91-93	RUJ-2038R		RUJ-2038R

Document No:	HSRWDCAT
Issue:	9
Issue Date:	01/03/07

# APPLICATION LISTING

Make	Year	Joint Position			Notes	
		Front	Middle	Rear		
<b>FORD cont.</b>						
FALCON (V8) (CONT.)	EB,ED,EF,EL,AU,AU2,AU3	7/91-10/02	K5-13XR		K5-13XR	
	BA,BF V8 SEDAN WITH CENTRE U/JOINT	11/02 ON	*GAG03-001-0	K5-13XR	CV-860	* RUBBER COUPLING FRONT
	BA,BF V8 SEDAN WITHOUT U/JOINT	11/02 ON	*GAG03-001-0	CV-862	CV-861	* RUBBER COUPLING FRONT
	BA,BF V8 WAGON, UTE ALL	11/02 ON	K5-13XR		K5-13XR	
LTD	P5 LTD /LANDAU	73-76	K5-13XR		RUJ-2039	
	P6 LTD	76/79	RUJ-2038R		RUJ-2029	
	FC,FD,FE	5/79-5/88	RUJ-2038R		RUJ-2038R	
	DC, DF(SOME)	6/88-7/91	RUJ-2038R		RUJ-2038R	STEEL TAILSHAFT INTERNAL SNAP RINGS
	DF,DL,AU	8/91-03	K5-13XR		K5-13XR	ALUMINIUM TAILSHAFT AND/OR EXTERNAL SNAP RINGS
BRONCO, F100, F150	ALL					
F250, F350NOTE: RANGE OF JOINTS USED REQUIRES THAT ALL APPLICATIONS SHOULD BE MEASURED TO ENSURE CORRECT FITMENT OF EACH JOINT						
COURIER	2WD VC,MA, 2.0L, 2.2L	78-98	RUJ-2023	RUJ-2023	RUJ-2023	SOME VEHICLES HAVE STAKED JOINTS (UNSERVICEABLE WITHOUT SPECIAL TOOLING)REFER HARDY SPICER
	PE, PG, 2.6L & 2.5DT	02/99-8/04	K5-13XR	K5-13XR	K5-13XR	
	PH, 2.6L & 2.5DT	9/04-10/06	K5-13XR	K5-13XR	K5-13XR	
	4X4, PC, PD	87-98	RUJ-2049		RUJ-2049	FRONT SHAFT
		87-98	RUJ-2023	RUJ-2023	RUJ-2023	REAR SHAFT
	4X4, PE, PG	99-8/04				FRONT SHAFT
		99-8/04	K5-13XR	K5-13XR	K5-13XR	REAR SHAFT
						SOME VEHICLES HAVE STAKED JOINTS (UNSERVICEABLE WITHOUT SPECIAL TOOLING)REFER HARDY SPICER
	4X4, PH, 2.6L & 2.5DT	9/04-10/06	K5-13XR		K5-13XR	FRONT SHAFT
		9/04-10/06	RUJ-3002	RUJ-3002	RUJ-3002	REAR SHAFT
	4X4, 4.0L	9/04-10/06	K5-13XR		CV JOINT	FRONT SHAFT (CV JOINT NOT CURRENTLY SERVICEABLE)
		09/04-10/06	CV JOINT	CV JOINT	CV JOINT	REAR SHAFT (FITTED WITH THREE CV JOINTS - NOT CURRENTLY SERVICEABLE)
ECONOVAN(SPECTRON)	EASYLOADER	79-88	RUJ-1784		RUJ-1784	DUAL REAR WHEELS
		83 ON	RUJ-2049		RUJ-2049	SINGLE REAR WHEELS
						SOME VEHICLES HAVE STAKED JOINTS (UNSERVICEABLE WITHOUT SPECIAL TOOLING)REFER HARDY SPICER
	MAXI	85 ON	RUJ-2023		RUJ-2023	
	SPECTRON 4X4	85-88	RUJ-2049		RUJ-2049	FRONT SHAFT
	SPECTRON 4X4	85-88	RUJ-2023		RUJ-2023	REAR SHAFT

Document No:	HSRWDCAT
Issue:	9
Issue Date:	01/03/07

# APPLICATION LISTING

Make	Year	Joint Position			Notes
		Front	Middle	Rear	
<b>FORD cont.</b>					
EXPLORER	4X4 WAGON	96 ON	K5-13XR	K5-13XR	FRONT SHAFT W/ SPORT TRAC
		96 ON	RUJ-3002	RUJ-3002	REAR SHAFT
		02 ON	K5-13XR	CV-860	FRONT SHAFT
RAIDER	4X4	91 ON	RUJ-2049	RUJ-2049	FRONT SHAFT
		91 ON	RUJ-2023	RUJ-2023	REAR SHAFT
RANGER	2WD, PJ 2.5DT	11/06 ON	RUJ-3002	RUJ-3002	
	4WD, PJ 3.0DT	11/06 ON	K5-13XR	K5-13XR	FRONT SHAFT
		11/06 ON	RUJ-3002	RUJ-3002	REAR SHAFT
TRANSIT	V21, V22, V24, V33 4CYL MAN	65-74	K5-L4R	K5-L4R	
	V21, V22, V24, V33, V51, V54, V65 4CYL AUTO	68-74	K5-13XR	K5-13XR	
	V51, V54, V65 4CYL MAN	65-74	K5-13XR	K5-13XR	
	V21, V23, V33, V51 (AUST PROD)	78-82	RUJ-2038R	RUJ-2038R	
TRANSIT (CONT.)	V24, V51, V54 (AUST PROD) LWB	78-82	RUJ-2030R	RUJ-2030R	SINGLE & DUAL REAR WHEELS
	NEW TRANSITS	94 ON		CV-856	(SOME) 94MM DIAMETER CV JOINT (BOOT KIT INCLUDED)
		94 ON		CV-288	(SOME) 108MM DIAMETER CV JOINT (BOOT KIT TO SUIT NL-5-15)
		01 ON	*GAF01-003-0		(SOME) *RUBBER COUPLING FRONT
MANY DRIVESHAFT CONFIGURATIONS VARIANTS					
ALL VEHICLES HAVE STAKED JOINTS (UNSERVICABLE WITHOUT SPECIAL TOOLING) REFER HARDY SPICER SHAFT REPLACEMENT OPTIONS					
MAVERICK	DA 4X4	87-92	RUJ-2028	RUJ-2028	FRONT SHAFT
		87-92	RUJ-3007	RUJ-3007	REAR SHAFT
<b>HOLDEN</b>					
EARLY MODELS (6 CYL)	FX-FJ	48-56	RUJ-1786R	RUJ-1764	
	FB, FC, FE, EK, EJ	56-63	RUJ-1786R	RUJ-1758	
	EH, HD, HR,	63-67	RUJ-1786R	RUJ-1786R	
	HK (SEE NOTES)	68-69	RUJ-1786R	RUJ-2030R	WITH 4SPD MAN & 3.08 RATIO REAR AXLE ONLY
	HK, HT, HG, HQ, HJ, HX, HZ	68-80	RUJ-1786R	RUJ-1786R	
	HJ, HX, HZ	74-80	RUJ-2030R	RUJ-2030R	WITH SALISBURY DIFF
	WB	80-85	RUJ-2030R	RUJ-2030R	UTE, PANEL VAN
	HQ ONE TONNER (SOME)	71-73	RUJ-2030R	RUJ-2030R	SOME
	HQ-WB ONE TONNER	71-85	RUJ-2500R	RUJ-2500R	

Document No:	HSRWDCAT
Issue:	9
Issue Date:	01/03/07

# APPLICATION LISTING

Make	Year	Joint Position			Notes	
		Front	Middle	Rear		
<b>HOLDEN cont.</b>						
EARLY MODELS (V8)	HK 307	68-69	RUJ-1786R		RUJ-1786R	MANUAL
	HK, HT 307	68-70	RUJ-2030R		RUJ-2030R	AUTO & BANJO DIFF
	HK, HT 307	68-70	RUJ-2030R		RUJ-2032	AUTO & SALISBURY DIFF, ALL 327
	HT, HG 253	69-71	RUJ-2030R		RUJ-2030R	MAN & AUTO
	HT 308	69-70	RUJ-2500R		RUJ-2502	MAN
	HG 308	70-71	RUJ-2030R		RUJ-2030	WITH BANJO DIFF
					RUJ-2032	WITH SALISBURY DIFF
	HG 350	70-71	RUJ-2500R		RUJ-2502	MANUAL
	HG 350	70-71	RUJ-2030R		RUJ-2032	AUTO
	HQ 253,308	71-74	RUJ-2030R		RUJ-2030R	
	HQ 350	71-74	RUJ-2500R		RUJ-2500R	
	HJ, HX, HZ 253 & 308	74-80	RUJ-2030R		RUJ-2030R	253 ALL, 308 MAN & AUTO EXCEPT TURBO 400
	HJ, HX HZ 308	74-80	RUJ-2500R		RUJ-2030R	308 WITH TURBO 400 AUTO
	WB EXCEPT ONE TONNER	80-85	RUJ-2030R		RUJ-2030R	
	HQ-WB ONE TONNER	71-85	RUJ-2500R		RUJ-2500R	
COMMODORE (4 CYL)	VC, VH	80-83	RUJ-1786R	CV-856	RUJ-1786R	
COMMODORE (6 CYL)	VB, VC, VH	78-84	RUJ-1786R	CV-856	RUJ-1786R	EXCEPT WITH HEAVY DUTY REAR AXLE
	VB, VC, VH	78-84	RUJ-2030R	CV-855A	RUJ-2030R	WITH HEAVY DUTY REAR AXLE
	VK	84-86	RUJ-1786R	CV-856	RUJ-1786R	EXCLUDES EFI MODELS
	VK EFI, VL	84-88	RUJ-2030R	CV-855A	RUJ-2030R	INCLUDES VL TURBO
	VN, VP, VR, VS & VT AUTO	88-98	RUJ-2038R	CV-855A	RUJ-2038R	
	VT MAN	96-9/00	RCA-1059	CV-855A	RUJ-2038R	FRONT HAS RUBBER DRIVE COUPLING(DONUT)
	VX, VY, VZ, VE MAN	10/00 ON	RCA-1060	STAKED	RCA-1061	FRONT & REAR RUBBER DRIVE COUPLINGS
	VX, VY, VZ, VE AUTO	10/00 ON	RCA-1060	STAKED	RCA-1060	FRONT & REAR RUBBER DRIVE COUPLINGS
	VX, VY, VZ AUTO SUPERCHARGED V6	10/00 ON	RCA-1061	STAKED	RCA-1061	FRONT & REAR RUBBER DRIVE COUPLINGS
ALL VX, VY, VZ, VE'S HAVE STAKED MIDDLE JOINTS (UNSERVICEABLE WITHOUT SPECIAL TOOLING) REFER HARDY SPICER SHAFT REPLACEMENT OPTIONS						
COMMODORE (V8)	VB, VC, VH,	78-84	RUJ-2030R	CV-855A	RUJ-2030R	253 ALL, 308 MAN AND AUTO EXCEPT TURBO 400
	VB, VC, VH 308 TURBO 400 ONLY	78-84	RUJ-2500R	CV-855A	RUJ-2030R	
	VK, VL	84-88	RUJ-2030R	CV-855A	RUJ-2030R	
	VP, VR, VS & VT AUTO	88-9/00	RUJ-2038R	CV-855A	RUJ-2038R	
	VT SERIES 1 V8 MANUAL	9/97-9/00	RCA-1058	CV-855A	RUJ-2038R	FRONT HAS RUBBER DRIVE COUPLING(DONUT)
	VT SERIES 2 5.7L GEN 3 (HI PERF)MAN	98-9/00	10005422	CV-855A	RUJ-2038R	FRONT HAS RUBBER DRIVE COUPLING(DONUT)
	VX, VY, VZ	10/00 ON	RCA-1061	STAKED	RCA-1061	FRONT & REAR RUBBER DRIVE COUPLINGS
	VE	10/06 ON	RCA-1062	STAKED	RCA-1062	FRONT & REAR RUBBER DRIVE COUPLINGS
ALL VX, VY, VZ, VE'S HAVE STAKED MIDDLE JOINTS (UNSERVICEABLE WITHOUT SPECIAL TOOLING) REFER HARDY SPICER SHAFT REPLACEMENT OPTIONS						

Document No:	HSRWDCAT
Issue:	9
Issue Date:	01/03/07

# APPLICATION LISTING

Make	Year	Joint Position			Notes	
		Front	Middle	Rear		
<b>HOLDEN cont.</b>						
DROVER	QG	85-87	RUJ-1795		RUJ-1795	IF INTERNAL SNAP RINGS
	QG	85-87	K5-A556		K5-A556	IF EXTERNAL CIRCLIPS
FRONTERA	2.0L 2 DOOR	96 ON	K5-L4R		K5-L4R	FRONT & REAR SHAFTS
GEMINI	TC, TD, TE, TF, TG, TX PETROL	75 -	RUJ-1786		RUJ-1786	DIESEL GEMINIS HAVE STAKED JOINTS (UNSERVICEABLE WITHOUT SPECIAL TOOLING)REFER HARDY SPICER SHAFT REPLACEMENT OPTIONS
JACKEROO	UBS	81-7/88	K5-LGB80R		RUJ-2033	FRONT SHAFT
			RUJ-2033	RUJ-2033	RUJ-2033	REAR SHAFT
				(LWB ONLY)		
	UBS	8/88-5/98	RUJ-2033		RUJ-2033	FRONT SHAFT
		8/88-5/98	RUJ-2033	RUJ-2033	RUJ-2033	REAR SHAFT
				(LWB ONLY)		
	UVS 3.5L V6 AND TURBO DIESEL	6/98 ON	RUJ-3011		RUJ-3011	FRONT SHAFT
			RUJ-3011	RUJ-3011	RUJ-3011	REAR SHAFT
	UVS MONTEREY(WITH TORQUE DEMAND ONLY)	6/98 ON	RUJ-2033		RUJ-2033	FRONT SHAFT
			RUJ-2033	RUJ-2033	RUJ-2033	REAR SHAFT
PIAZZA	2.0L TURBO	86-88	STAKED		STAKED	THESE VEHICLES HAVE STAKED JOINTS (UNSERVICEABLE WITHOUT SPECIAL TOOLING)REFER HARDY SPICER SHAFT REPLACEMENT OPTIONS
RODEO 2WD	KB, KBD 20 SERIES	75-88	K5-LGB80R	K5-LGB80R	K5-LGB80R	
	TF SERIES	8/88 ON	RUJ-2036	RUJ-2036	RUJ-2036	
	TF R9 3.2 V6	6/98 -2003	RUJ-3011	RUJ-2036	RUJ-2036	
RODEO 4WD	KB, KBD 20 SERIES	79-7/88	K5-LGB80R		RUJ-2033	FRONT SHAFT
		79-7/88	RUJ-2033	RUJ-2033	RUJ-2033	REAR SHAFT
	TF SERIES	8/88 ON	RUJ-2033		RUJ-2033	FRONT SHAFT
		8/88 ON	RUJ-2033	RUJ-2033	RUJ-2033	REAR SHAFT
	TF R9 3.2 V6	6/98 -2003	RUJ-2033		RUJ-2033	FRONT SHAFT
		6/98 -2003	RUJ-3011	RUJ-2033	RUJ-2033	REAR SHAFT
SCURRY		85-87	RUJ-1501		RUJ-1501	
SHUTTLE	WFR11, WFR51	82-86	K5-LGB80R		K5-LGB80R	IF EXTERNAL CIRCLIPS
		82-90	RUJ-2033		RUJ-2033	IF INTERNAL SNAP RINGS

Document No:	HSRWDCAT
Issue:	9
Issue Date:	01/03/07

# APPLICATION LISTING

Make	Year	Joint Position			Notes
		Front	Middle	Rear	
<b>HOLDEN cont.</b>					
STATESMAN	HQ 308 V8	71-74	RUJ-2030R		RUJ-2030R
	HQ 350 V8	71-74	RUJ-2500R		RUJ-2500R
	HJ, HX, HZ	74-79	RUJ-2500R		RUJ-2030R
	WB	80-85	RUJ-2030R		RUJ-2030R
	VQ, VR, VS STATESMAN/CAPRICE	90-6/99	RUJ-2038R	CV-855A	RUJ-2038R
	WH SERIES 1 STATESMAN/CAPRICE	7/99-8/01	RUJ-2038R	CV-855A	RUJ-2038R
	WH SERIES 2, WK STATESMAN/CAPRICE V6 MPFI, WM	9/01 ON	RCA-1060	STAKED	RCA-1060
	WH SERIES 2, WK STATESMAN/CAPRICE V6 S/C, V8	9/01 ON	RCA-1061	STAKED	RCA-1061
	WM V8	9/06 ON	RCA-1062	STAKED	RCA-1062
					WH-WM SERIES 2, WK'S HAVE STAKED MIDDLE JOINTS (UNSERVICEABLE WITH OUT SPECIAL TOOLING) REFER HARDY SPICER SHAFT REPLACEMENT OPTIONS
SUBURBAN	K8 V8 DIESEL TURBO	98-01	5-178X		5-178X
	K8 5.7L V8 PETROL	98-01	RUJ-3002		RUJ-3000
TORANA (4 CYL)	HB	67-69	K5-LGB80R		K5-LGB80R
		67-69	RUJ-1786R		RUJ-1786R
	LC, LJ, TA, LH, LX, UC (SUNBIRD)	70-80	RUJ-1786R		RUJ-1786R
TORANA (6 CYL)	LC, LJ, LH, LX, UC	70-80	RUJ-1786R		RUJ-1786R
TORANA (V8)	LH, LX,	74-78	RUJ-2030R		RUJ-2030R
<b>HYUNDAI</b>					
SANTA FE TUCSON	V6		GAH04-001-0	CV-855A	K5-13XR
<b>JAGUAR</b>					
XJ6, XJ12, XJS		68-86	K5-13XR	K5-13XR	K5-13XR
		87 ON	K5-A757	K5-A757	K5-A757
		ALL	K5-GB10R		HALF SHAFT REAR
<b>JEEP</b>					
J10, J20 4X4		74-88	K5-13XR		K5-13XR
			5-297X		FRONT & REAR SHAFTS
					WHEEL JOINTS FRONT AXLE
CHEROKEE	INCLUDING GRAND CHEROKEE	88-98	K5-13XR		K5-13XR
			5-74X		FRONT & REAR SHAFTS
			5-297X		WHEEL JOINTS FRONT AXLE W/OUT ANTI LOCK BRAKES
					WHEEL JOINTS FRONT AXLE WITH ANTI LOCK BRAKES
WRANGLER	CJ, YJ	94-	K5-13XR		K5-13XR
			5-74X		FRONT & REAR SHAFTS
					WHEEL JOINTS FRONT AXLE
<b>KIA</b>					
SPORTAGE	4 X 4	11/96 ON	RUJ-2049		RUJ-2049
					FRONT AND REAR SHAFT

Document No:	HSRWDCAT
Issue:	9
Issue Date:	01/03/07

# APPLICATION LISTING

Make	Year	Joint Position			Notes	
		Front	Middle	Rear		
<b>LADA</b>						
NIVA	4 X 4 WAGON (MOST 23.8MM CAP)	83-92	K5-LGB80R		K5-LGB80R	FRONT AND REAR SHAFT
	4 X 4 WAGON (SOME 28MM CAP)	88-92	K5-A676		K5-A676	FRONT AND REAR SHAFT
	4 X 4 WAGON	92-99	K5-A676		K5-A676	FRONT AND REAR SHAFT
<b>LEYLAND / MORRIS</b>						
MINI 850,1100,COOPER	AUTO	59-78	K5-GB150			INNER FWD SHAFT
	COOPER S FROM BODY 1918		K5-GB150			INNER FWD SHAFT
NOMAD	1300, 1500	69-72	114-2101			INNER FWD SHAFT MANUAL
		69-72	RUJ-1786R			INNER FWD SHAFT AUTO
MARINA	4 CYL	72-75	K5-GB150		K5-GB150	
	6 CYL	72-75	RUJ-1786R		RUJ-1786R	
P76	6 CYL	72-75	RUJ-1786R		RUJ-1786R	3 SPEED MANUAL, AUTO
	6 CYL	73-75	RUJ-2030R		RUJ-1786R	4 SPEED MANUAL
	V8	73-75	RUJ-2030R		RUJ-2038R	
MG	MGB, MGB GT	62-81	K5-LGB80R		K5-LGB80R	
	MGC, MGC GT, MGC V8	67-76	K5-13XR		K5-13XR	
<b>MAZDA</b>						
1200, 1300		67-77	RUJ-1784		RUJ-1784	
1500, 1800		67-74	RUJ-1784		RUJ-1784	
1600, CAPELLA		70-78	RUJ-1784	RUJ-1784 (SOME)	RUJ-1784	
121, 121L		76-80	RUJ-2049	RUJ-2049	RUJ-2049	
323	RWD	77-85	RUJ-1500		RUJ-1500	
626	CB2	78-83	RUJ-1784	RUJ-1784	RUJ-1784	
808, SAVANNA		72-77	RUJ-1784		RUJ-1784	
929, 929L	LA2-LA4	74-84	RUJ-1784	RUJ-1784	RUJ-1784	
	HB,HBES	84-87	STAKED	STAKED	STAKED	VEHICLES HAVE STAKED JOINTS (UNSERVICEABLE WITHOUT SPECIAL TOOLING)REFER HARDY SPICER

Document No:	HSRWDCAT
Issue:	9
Issue Date:	01/03/07

# APPLICATION LISTING



Make	Year	Joint Position			Notes	
		Front	Middle	Rear		
<b>MAZDA cont.</b>						
929, 929L cont.	HC, HD-E	87-97	STAKED	STAKED	STAKED	VEHICLES HAVE STAKED JOINTS (UNSERVICEABLE WITHOUT SPECIAL TOOLING)REFER HARDY SPICER
BONGO	VAN	68-78			RUJ-2023	HALF SHAFTS
MPV	3.0L V6	4/96-	STAKED	STAKED	STAKED	VEHICLES HAVE STAKED JOINTS (UNSERVICEABLE WITHOUT SPECIAL TOOLING)REFER HARDY SPICER
MX-5		89-	STAKED	STAKED	STAKED	VEHICLES HAVE STAKED JOINTS (UNSERVICEABLE WITHOUT SPECIAL TOOLING)REFER HARDY SPICER
R100,RX-2,RX-3,RX-4		67-78	RUJ-1784	RUJ-1784 (SOME)	RUJ-1784	
RX-5		78-82	RUJ-2049	RUJ-2049	RUJ-2049	
RX-7	SERIES 1	78-82	RUJ-1784	RUJ-1784	RUJ-1784	
	SERIES 2,3	82-85	RUJ-2049	RUJ-2049	RUJ-2049	SOME SOME VEHICLES HAVE STAKED JOINTS (UNSERVICEABLE WITHOUT SPECIAL TOOLING)REFER HARDY SPICER
	SERIES 4,5,6	86-99	STAKED	STAKED	STAKED	VEHICLES HAVE STAKED JOINTS (UNSERVICEABLE WITHOUT SPECIAL TOOLING)REFER HARDY SPICER
RX-8		03-	STAKED	STAKED	STAKED	VEHICLES HAVE STAKED JOINTS (UNSERVICEABLE WITHOUT SPECIAL TOOLING)REFER HARDY SPICER
B SERIES UTES	B1600, B1800 2WD	71-82	RUJ-2023	RUJ-2023	RUJ-2023	
	B2000 2WD	82-6/88	RUJ-2023	RUJ-2023	RUJ-2023	
	B2200 2WD	6/85-12/86	RUJ-2049	RUJ-2049	RUJ-2049	
	B2200 2WD	1/87-10/91	RUJ-2023	RUJ-2023	RUJ-2023	SOME MAY HAVE STAKED JOINTS IN FRONT AND REAR SOME VEHICLES HAVE STAKED JOINTS (UNSERVICEABLE WITHOUT SPECIAL TOOLING)REFER HARDY SPICER
	B2600 4X4	3/87-10/91	RUJ-2049		RUJ-2049	FRONT SHAFT
		3/87-10/91	RUJ-2023	RUJ-2023	RUJ-2023	REAR SHAFT SOME VEHICLES HAVE STAKED JOINTS IN REAR SHAFT (UNSERVICEABLE WITHOUT SPECIAL TOOLING)REFER HARDY SPICER
BRAVO	B2200,B2500,B2600 2WD	11/91-98	RUJ-2023	RUJ-2023	RUJ-2023	SOME VEHICLES HAVE STAKED JOINTS (UNSERVICEABLE WITHOUT SPECIAL TOOLING)REFER HARDY SPICER
	B2500, B2600	2/99-8/04	K5-13XR	K5-13XR	K5-13XR	
	B2500, B2600	9/04-10/06	K5-13 XR	K5-13XR	K5-13XR	

Document No:	HSRWDCAT
Issue:	9
Issue Date:	01/03/07

# APPLICATION LISTING

Make	Year	Joint Position			Notes	
		Front	Middle	Rear		
<b>MAZDA cont.</b>						
BRAVO	B2500, B2600 4X4	11/91-98	RUJ-2049		RUJ-2049	FRONT SHAFT
		11/91-98	RUJ-2023	RUJ-2023	RUJ-2023	REAR SHAFT
		99-8/04				FRONT SHAFT
		99-8/04	K5-13XR	K5-13XR	K5-13XR	REAR SHAFT
						SOME VEHICLES HAVE STAKED JOINTS IN REAR SHAFT (UNSERVICEABLE WITHOUT SPECIAL TOOLING)REFER HARDY SPICER
		B2500, B2600 4X4	9/04-10/06	K5-13XR		K5-13XR
		9/04-10/06	RUJ-3002	RUJ-3002	RUJ-3002	REAR SHAFT
	B4000 4X4	05-06	K5-13XR		CV JOINT	FRONT SHAFT (CV JOINT NOT CURRENTLY SERVICEABLE)
		05-06	CV JOINT	CV JOINT	CV JOINT	REAR SHAFT (FITTED WITH THREE CV JOINTS - NOT CURRENTLY SERVICEABLE)
BT-50	2.5DT, 3.0DT 2WD	11/06 ON	RUJ-3002	RUJ-3002	RUJ-3002	
	3.0DT 4X4	11/06 ON	K5-13XR		K5-13XR	FRONT SHAFT
		11/06 ON	RUJ-3002	RUJ-3002	RUJ-3002	REAR SHAFT
E SERIES VANS	E1300,E1400,E1600,E1800,E2200	71-12/83	RUJ-1784		RUJ-1784	INTERNAL CIRCLIPS SOME VEHICLES HAVE STAKED JOINTS (UNSERVICEABLE WITHOUT SPECIAL TOOLING)REFER HARDY SPICER
	E1800,E2200	84 ON	RUJ-2049		RUJ-2049	INTERNAL CLIPS SOME VEHICLES HAVE STAKED JOINTS (UNSERVICEABLE WITHOUT SPECIAL TOOLING)REFER HARDY SPICER
			RUJ-1784		RUJ-1784	WITH DUAL REAR WHEELS
	E2000	84 ON	RUJ-2049		RUJ-2049	WITH SINGLE REAR WHEELS SOME VEHICLES HAVE STAKED JOINTS (UNSERVICEABLE WITHOUT SPECIAL TOOLING)REFER HARDY SPICER
TRIBUTE	AWD V6		K5-13XR		K5-13XR	
T SERIES TRUCKS	T2000	5/81-12/82	RUJ-3003	RUJ-3003	RUJ-3003	
	T2600	4/85-12/88	RUJ-3003	RUJ-3003	RUJ-3003	
	T3000	6/81-10/84	RUJ-3003	RUJ-3003	RUJ-3003	
	T3500	9/87-4/97	RUJ-3003	RUJ-3003	RUJ-3003	
	T4000	11/89-6/00	RUJ-4009	RUJ-4009	RUJ-4009	
	T4100	6/81-9/89	RUJ-4009	RUJ-4009	RUJ-4009	
	T4600	6/92-	RUJ-4009	RUJ-4009	RUJ-4009	

Document No:	HSRWDCAT
Issue:	9
Issue Date:	01/03/07

# APPLICATION LISTING

Make	Year	Joint Position			Notes
		Front	Middle	Rear	
<b>MITSUBISHI</b>					
GALANT	GA	8/71-10/72	K5-A556		UP TO CF15
	GA, GB, GC, GD	11/72-12/77	RUJ-1786R	RUJ-1786R	GA(CF16 ON) GC, GD EXCEPT HARDTOP
	GC, GD	7/74-12/77	K5-A556	K5-A556	HARDTOP
LANCER	LA, LB, LC	9/74-8/81	K5-A556	K5-A556	
L200 EXPRESS UTE	MA, MB, MC, MD 1/2 TONNE 2WD	3/80-10/86	K5-A556	K5-A556	
	MA, MB, MC, MD 1 TONNE 2WD	3/80-10/86	RUJ-2045	RUJ-2045	
	MA, MB, MC, MD 4WD	6/81-10/86	K5-A556	K5-A556	FRONT SHAFT
		6/81-10/86	RUJ-2045	RUJ-2045	REAR SHAFT
L300 EXPRESS VAN AND	SA-SE 2WD	4/80-9/86	K5-A556	K5-A556	
STARWAGON	SC-WA 4WD	5/83-	K5-A556	K5-A556	FRONT SHAFT
	SC-WA 4WD	5/83-	RUJ-2045	RUJ-2045	REAR SHAFT
	SF-WA 2WD 2.0L	10/86-	K5-A556	K5-A556	
	SF-WA 2WD 2.4L PET, 2.5L DIESEL	10/86-	RUJ-2045	RUJ-2045	
PAJERO	NA, NG	1983-90	K5-A556	K5-A556	Exc LWB -V6 FRONT SHAFT
	NA, NG	1983-90	RUJ-2045	RUJ-2045	Exc LWB -V6 REAR SHAFT
	ND, NG	1986-91	K5-A556	K5-A556	LWB V6 ONLY FRONT SHAFT
	ND, NG	1986-91	RUJ-3006	RUJ-3006	LWB V6 ONLY REAR SHAFT
	NH, NJ	5/91-97	K5-A556	K5-A556	FRONT SHAFT
	NH, NJ	5/91-97	RUJ-3006	RUJ-3006	REAR SHAFT
	NK, NM	11/96-11/02	K5-A556	K5-A556	FRONT SHAFT
	NK, NM DIESEL	11/96-11/02	RUJ-3006	RUJ-3006	REAR SHAFT
	NK, NM V6 PETROL & TURBO DIESEL	11/96-11/02	RUJ-4010	RUJ-4010	REAR SHAFT
SCORPION	GE	3/78-6/79	K5-A556	K5-A556	
	GH	7/79-10/80	RUJ-1786R	RUJ-1786R	
	GJ, GK, GL (MANUAL TRANSMISSION)	11/80-9/85	RUJ-1786R	RUJ-1786R	
	GJ, GK, GL (AUTO TRANSMISSION) MOST	11/80-9/85	RUJ-2045	RUJ-2045	76.5MM ACROSS CAPS
	GJ, GK, GL (AUTO TRANSMISSION) SOME	11/80-9/85	K5-A556	K5-A556	63.8MM ACROSS CAPS
SIGMA	GE, GH, GJ, GK, GN	10/77-12/87	RUJ-1786R	RUJ-1786R	
STARION	JA, JB, JD	82-87	RUJ-2045	RUJ-2045	

Document No:	HSRWDCAT
Issue:	9
Issue Date:	01/03/07

# APPLICATION LISTING

Make	Year	Joint Position			Notes	
		Front	Middle	Rear		
<b>MITSUBISHI cont.</b>						
TRITON	ME, MF, MG, MH, MJ 2WD 4CYL	86 ON	RUJ-2045	RUJ-2045	RUJ-2045	
	MJ 2WD V6	9/92 ON	RUJ-3006	RUJ-3006	RUJ-3006	
	ME, MF, MG 4WD	86-91	K5-A556		K5-A556	FRONT SHAFT
			RUJ-2045	RUJ-2045	RUJ-2045	REAR SHAFT
	MH, MJ 4WD	9/92 ON	K5-A556		K5-A556	FRONT SHAFT
			RUJ-3006	RUJ-3006	RUJ-3006	REAR SHAFT
	MK, ML V6		RUJ-4010	RUJ-4010	RUJ-4010	REAR SHAFT
<b>NISSAN</b>						
	B10,B20	1967-70	RUJ-1780		RUJ-1780	
1000-1200	B120	1970-74	RUJ-1780		RUJ-1780	JAPANESE PRODUCTION
	B120	1970-74	RUJ-1786R		RUJ-1786R	AUSTRALIAN PRODUCTION
		1974-79	RUJ-1786R		RUJ-1786R	AUSTRALIAN PRODUCTION
120Y, SUNNY	B210,VB210, B310	1974-81	RUJ-1780		RUJ-1780	SOME JAPANESE PRODUCTION
			K5-A648		K5-A648	MOST JAPANESE STAKED JOINT
						SOME VEHICLES HAVE STAKED JOINTS (UNSERVICEABLE WITHOUT SPECIAL TOOLING)REFER HARDY SPICER
1600, 180B, 200B	510,610B,810B	1968-81	RUJ-1781		RUJ-1781	JAPANESE PRODUCTION
	510, 610B, 810B	1968-81	RUJ-1786R	RUJ-1786R	RUJ-1786R	AUSTRALIAN PRODUCTION
	510,610B,810B	1968-81			RUJ-2028	IRS HALF SHAFTS
2000, 2300, 2400		1966-73	RUJ-1781		RUJ-1781	
240C,260C,280C,240K		1973-77	RUJ-1781	RUJ-1781	RUJ-1781	
240K		1973-77			RUJ-2028	IRS HALF SHAFTS
200SX		1994 on	TBA		TBA	STAKED JOINTS
						VEHICLES HAVE STAKED JOINTS (UNSERVICEABLE WITHOUT SPECIAL TOOLING)REFER HARDY SPICER
240Z,260Z,280Z,280ZX		1967-86	RUJ-1781		RUJ-1781	
					RUJ-2028	IRS HALF SHAFTS
300ZX	Z31,Z32, Z31 TURBO	1986-97				STAKED JOINTS
						VEHICLES HAVE STAKED JOINTS
						(UNSERVICEABLE WITHOUT SPECIAL TOOLING) REFER HARDY SPICER
BLUEBIRD	910	1981-86	RUJ-1786R	RUJ-1786R	RUJ-1786R	

Document No:	HSRWDCAT
Issue:	9
Issue Date:	01/03/07

# APPLICATION LISTING

Make	Year	Joint Position			Notes	
		Front	Middle	Rear		
<b>NISSAN cont.</b>						
GAZELLE	S12	1984-88			STAKED JOINTS VEHICLES HAVE STAKED JOINTS (UNSERVICEABLE WITHOUT SPECIAL TOOLING)REFER HARDY SPICER	
NOMAD		1986-92	K5-A648	K5-A648	STAKED JOINTS VEHICLES HAVE STAKED JOINTS (UNSERVICEABLE WITHOUT SPECIAL TOOLING)REFER HARDY SPICER	
PINTARA	R31 MANUAL	1986-90	*100-R231	RUJ-1786R	*RUBBER COUPLING	
	R31 AUTO	1986-90	*100-R249	RUJ-1786R	*RUBBER COUPLING	
SKYLINE		1978-80	RUJ-1781	RUJ-1781		
		1978-80		RUJ2028	IRS HALF SHAFTS	
	R30	1981-86			STAKED JOINTS VEHICLES HAVE STAKED JOINTS (UNSERVICEABLE WITHOUT SPECIAL TOOLING)REFER HARDY SPICER	
	R31	1986-88	RUJ-2030R	CV-856	RUJ-2030R	
	R31	6/88-91	RUJ-2038R	CV-855A	RUJ-2038R	
STANZA	A10	1978-83	RUJ-1781	RUJ-1781	JAPANESE PRODUCTION	
	A10	1978-83	RUJ-1786R	RUJ-1786R	AUSTRALIAN PRODUCTION	
COMMERCIAL						
520-620-720		1965-68	K5-LGB80R		K5-LGB80R	SOME
		1968-3/83	RUJ-1781	RUJ-1781	RUJ-1781	2WD&4WD
720		4/83-85	RUJ-2028	RUJ-2028	RUJ-2028	
CABALL		1971-81	RUJ-2028		RUJ-2028	
CABSTAR	PF22 PETROL	1982-86	RUJ-1781		RUJ-1781	
	EF22 SD25 DIESEL	1982-86	RUJ-2040		RUJ-2040	
NAVARA	D21 2WD Z20,Z24 PETROL	1986 on	RUJ-1700	RUJ-1700	RUJ-1700	
	D21 2WD SD25.TD27 DIESEL	1986-92	RUJ-1781		RUJ-1781	
	D21 4WD	1985-8/87	RUJ-1781		RUJ-1781	FRONT SHAFT
		1985-8/87	RUJ-2028	RUJ-2028	RUJ-2028	REAR SHAFT
	D21 4WD	8/87-2/97	RUJ-1700		RUJ-1700	FRONT SHAFT
		8/87-2/97	RUJ-1700	RUJ-1700	RUJ-1700	REAR SHAFT

Document No:	HSRWDCAT
Issue:	9
Issue Date:	01/03/07

# APPLICATION LISTING

Make	Year	Joint Position			Notes
		Front	Middle	Rear	
<b>NISSAN cont.</b>					
NAVARA (CONT.)	D22 4 Cyl 4WD	3-97 ON	RUJ-1700		FRONT SHAFT
	D22 4 Cyl 2&4WD	3-97 ON	RUJ-1700	RUJ-1700	REAR SHAFT
	D22 V6 3.0L 4WD	3-97 ON	RUJ-1700		FRONT SHAFT
	D22 V6 3.0L, 3.2L DIESEL 2&4WD	3-97 ON	RUJ-2028	RUJ-2028	REAR SHAFT
PATHFINDER	4 Cyl WNY21	1986-8/87	RUJ-1781		FRONT SHAFT
	4 Cyl WNY21	1986-8/87	RUJ-2028	RUJ-2028	REAR SHAFT
	4 Cyl	8/87-8/92	RUJ-1700		FRONT SHAFT
	4 Cyl	8/87-8/92	RUJ-1700	RUJ-1700	REAR SHAFT
	V6 3.0L	8/92 -11/95	RUJ-1700		FRONT SHAFT
	V6 3.0L	8/92-11/95	RUJ-2028	RUJ-2028	REAR SHAFT
	V6 3.3L	11/1995 ON	RUJ-1700		FRONT SHAFT
	V6 3.3L	11/1995 ON	RUJ-2028	RUJ-2028	REAR SHAFT
PATROL	G60	1959-80	5-178X		FRONT & REAR SHAFT
	MQ	1980-87	RUJ-2028		FRONT & REAR SHAFT
	GQ 4.2L	1987-97	RUJ-3007		REAR SHAFT
	GQ 4.2L	1987-97	RUJ-2028		FRONT SHAFT
	GQ 3.0 & 2.8L	1989-97	RUJ-2028		FRONT & REAR SHAFT
	GU 2.8L TURBO DIESEL	12/97-5/00	RUJ-2028		FRONT & REAR SHAFT
	GU PETROL , DIESEL , TURBO DIESEL	12/97 ON	RUJ-2028		FRONT SHAFT
		12/97 ON	RUJ-3007		REAR SHAFT
TERRANO		1997-2000	TBA		Staked VEHICLES HAVE STAKED JOINTS (UNSERVICEABLE WITHOUT SPECIAL TOOLING)REFER HARDY SPICER
URVAN	E20, E23	1974-86	RUJ-1781		RUJ-1781
	E24	4/87-93	RUJ-1700		RUJ-1700
					SOME VEHICLES HAVE STAKED JOINTS (UNSERVICEABLE WITHOUT SPECIAL TOOLING)REFER HARDY SPICER
UTE	XFN	1986-91	RUJ-2038R		RUJ-2038R
VANETTE	C20	1974-80	RUJ-1780		RUJ-1780
	C20,C120	1980-86	RUJ-1781		RUJ-1781
					SOME VEHICLES HAVE STAKED JOINTS (UNSERVICEABLE WITHOUT SPECIAL TOOLING)REFER HARDY SPICER
X-TRAIL		11/00 ON	TBA		TBA
					STAKED VEHICLES HAVE STAKED JOINTS (UNSERVICEABLE WITHOUT SPECIAL TOOLING)REFER HARDY SPICER

Document No:	HSRWDCAT
Issue:	9
Issue Date:	01/03/07

# APPLICATION LISTING

Make	Year	Joint Position			Notes
		Front	Middle	Rear	
<b>ROVER</b>					
80, 95, 100, 110, 2000, 3500, 3500S	1958-87	K5-13XR		K5-13XR	
2000, 3500, 3500S ONLY	1963-87			5-178X	IRS HALF SHAFT
LANDROVER	SERIES I & 11	1948-62	K5-L4R	K5-L4R	FRONT & REAR SHAFT
	SERIES I & 11	1948-62	K5-GB35		FRONT AXLE SWIVEL JOINT
	SERIES IIA & III	1962-84	K5-13XR	K5-13XR	FRONT & REAR SHAFT
	SERIES IIA & III	1962-84	K5-GB35		FRONT AXLE SWIVEL JOINT
	110 & DEFENDER	1984-86	K5-13XR	K5-13XR	FRONT & REAR SHAFT
	86 ON		K5-A757	K5-A757	FRONT & REAR SHAFT
	FREELANDER	3/98 ON	K5-GB150	K5-GB150	FRONT SHAFT
		3/98 ON	CVJ N/A	K5-GB150 X 2	3 PIECE REAR SHAFT
RANGEROVER	1972-85		K5-13XR	K5-13XR	FRONT & REAR SHAFT
	86 -		K5-A757	K5-A757	FRONT & REAR SHAFT
DISCOVERY	1991 ON		K5-A757	K5-A757	FRONT & REAR SHAFT
<b>SUBARU</b>					
FORESTER	AWD	8/97 ON			STAKED JOINTS VEHICLES HAVE STAKED JOINTS (UNSERVICEABLE WITHOUT SPECIAL TOOLING)REFER HARDY SPICER
IMPREZA	AWD	11/96 ON			STAKED JOINTS VEHICLES HAVE STAKED JOINTS (UNSERVICEABLE WITHOUT SPECIAL TOOLING)REFER HARDY SPICER
LEONE, BRUMBY	4WD	1972-94	RUJ-1796	RUJ-1796	RUJ-1796 VEHICLES HAVE STAKED JOINTS (UNSERVICEABLE WITHOUT SPECIAL TOOLING)REFER HARDY SPICER
LIBERTY, OUTBACK	AWD	1991 on	TBA	TBA	STAKED JOINTS VEHICLES HAVE STAKED JOINTS (UNSERVICEABLE WITHOUT SPECIAL TOOLING)REFER HARDY SPICER

Document No:	HSRWDCAT
Issue:	9
Issue Date:	01/03/07

# APPLICATION LISTING

Make	Year	Joint Position			Notes	
		Front	Middle	Rear		
<b>SUZUKI</b>						
L SERIES 4X4	LJ80,LJ81	1977-81	K5-A649		K5-A649	STAKED JOINTS
			RUJ-1795		RUJ-1795	SOME VEHICLES HAVE STAKED JOINTS (UNSERVICEABLE WITHOUT SPECIAL TOOLING)REFER HARDY SPICER
CARRY	SK410	1985-90	RUJ-1501		RUJ-1501	
SIERRA 4X4	SJ410	1981-	RUJ-1795		RUJ-1795	FRONT & REAR SHAFT
	SJ413	1985-	K5-A557		K5-A557	FRONT & REAR SHAFT
	SJ413	1985-	RUJ-1795		RUJ-1795	FRONT & REAR SHAFT
VITARA 4X4	SWB 1.6L	1988 on	K5-A557		K5-A557	FRONT & REAR SHAFT
	LWB 1.6L	1991 on	K5-A557		K5-A557	FRONT & REAR SHAFT
	LWB V6	1995 on	TBA		TBA	STAKED JOINTS VEHICLES HAVE STAKED JOINTS (UNSERVICEABLE WITHOUT SPECIAL TOOLING)REFER HARDY SPICER
X90		1996 on	TBA		TBA	STAKED JOINTS VEHICLES HAVE STAKED JOINTS (UNSERVICEABLE WITHOUT SPECIAL TOOLING)REFER HARDY SPICER
<b>TOYOTA</b>						
GELICA	TA, RA Series	1971-83	RUJ-1776	RUJ-1776	RUJ-1776	STAKED JOINTS
		Some	K5-A654	K5-A654	K5-A654	SOME VEHICLES HAVE STAKED JOINTS (UNSERVICEABLE WITHOUT SPECIAL TOOLING)REFER HARDY SPICER
COROLLA	KE10-70	1967-83	K5-A517		K5-A517	JAPANESE PRODUCTION
		1967-81	RUJ-1786R		RUJ-1786R	AUSTRALIAN PRODUCTION
	KE70, AE70,71,72	11/81-85	RUJ-1786R	RUJ-1786R	RUJ-1786R	AUSTRALIAN PRODUCTION
	AE86 SPRINTER	1983-85	RUJ-2016	RUJ-2016	RUJ-2016	Japanese Production
	AE95 4X4	1988-95	RUJ-1776		RUJ-1776	Tail Shaft SOME
		1988-95	K5-A654		K5-A654	STAKED JOINTS SOME VEHICLES HAVE STAKED JOINTS (UNSERVICEABLE WITHOUT SPECIAL TOOLING)REFER HARDY SPICER
CORONA	RT40-RT118	1964-5/79	RUJ-1776	RUJ-1776	RUJ-1776	JAPANESE PRODUCTION
	RT132-RT142, ST141, XT130-133	6/79-87	RUJ-1786R	RUJ-1786R	RUJ-1786R	AUSTRALIAN PRODUCTION
			K5-A654	K5-A654	K5-A654	STAKED JOINTS SOME VEHICLES HAVE STAKED JOINTS (UNSERVICEABLE WITHOUT SPECIAL TOOLING)REFER HARDY SPICER

Document No:	HSRWDCAT
Issue:	9
Issue Date:	01/03/07

# APPLICATION LISTING



Make	Year	Joint Position			Notes
		Front	Middle	Rear	
<b>TOYOTA cont.</b>					
CORONA MKII	RT72, MX10-23 Series	1970-77	RUJ-1776		RUJ-1776
CRESSIDA	MX32-MX73	1977-88	RUJ-1776	RUJ-1776	RUJ-1776
			K5-A654	K5-A654	K5-A654
					SOME VEHICLES HAVE STAKED JOINTS (UNSERVICEABLE WITHOUT SPECIAL TOOLING)REFER HARDY SPICER
CROWN	MS40,RS40	1964-68	RUJ-1776	RUJ-1776	RUJ-1776
	MS53,MS55,MS57,MS65	1968-74	RUJ-1786R	RUJ-1786R	RUJ-1786R
	MS83,MS85,MS111,MS112	1975-9/83	RUJ-2100HD	RUJ-2100HD	RUJ-2100HD
	MS83,MS85,MS111,MS112	1975-9/83	RUJ-2041HD	RUJ-2041HD	RUJ-2041HD
	MS123	10/83-88			
					STAKED JOINTS
					VEHICLES HAVE STAKED JOINTS (UNSERVICEABLE WITHOUT SPECIAL TOOLING)REFER HARDY SPICER
LEXCEN	VN-VS	1989 on	RUJ-2038R	CV-855A	RUJ-2038R
RAV4		6/94-	K5-A654	K5-A654	K5-A654
					STAKED JOINTS
					VEHICLES HAVE STAKED JOINTS (UNSERVICEABLE WITHOUT SPECIAL TOOLING)REFER HARDY SPICER
SUPRA	MA60	1981-86	RUJ-1776	RUJ-1776	RUJ-1776
	MA70, MA71	1986-92	RUJ-2100HD	RUJ-2100HD	RUJ-2100HD
					SOME VEHICLES HAVE STAKED JOINTS (UNSERVICEABLE WITHOUT SPECIAL TOOLING)REFER HARDY SPICER
T18	TE72	1978-82	K5-A654		K5-A654
					STAKED JOINTS
					VEHICLES HAVE STAKED JOINTS (UNSERVICEABLE WITHOUT SPECIAL TOOLING)REFER HARDY SPICER
TARAGO	YR20,YR21,CR21 ON	1982-90	RUJ-1776		RUJ-1776
	YR20	1982-90	RUJ-2016		RUJ-2016
		1982-90	K5-A654		K5-A654
					SOME VEHICLES HAVE STAKED JOINTS (UNSERVICEABLE WITHOUT SPECIAL TOOLING)REFER HARDY SPICER
TERCEL	4WD	1983-88	K5-A654	K5-A654	K5-A654
					STAKED JOINTS
					VEHICLES HAVE STAKED JOINTS (UNSERVICEABLE WITHOUT SPECIAL TOOLING)REFER HARDY SPICER

Document No:	HSRWDCAT
Issue:	9
Issue Date:	01/03/07

# APPLICATION LISTING

Make	Year	Joint Position			Notes	
		Front	Middle	Rear		
<b>TOYOTA cont.</b>						
<i>COMMERCIALS</i>						
<i>BLIZZARD</i>	<i>LD10</i>	<i>1982-83</i>	<i>K5-A522</i>		<i>K5-A522</i>	<i>FRONT &amp; REAR SHAFTS (EXTERNAL CIRCLIPS)</i>
			<i>RUJ-2023</i>		<i>RUJ-2023</i>	<i>SOME HAVE (INTERNAL CIRCLIPS)</i>
<i>BUNDERA</i>		<i>1984-93</i>	<i>RUJ-2109HD</i>		<i>RUJ-2109HD</i>	<i>FRONT &amp; REAR SHAFTS</i>
<i>COASTER</i>	<i>JU18, RU18</i>	<i>1969-72</i>	<i>K5-A519</i>	<i>K5-A519</i>	<i>K5-A519</i>	
	<i>BU19, RU19</i>	<i>1972-77</i>	<i>RUJ-2041HD</i>	<i>RUJ-2041HD</i>	<i>RUJ-2041HD</i>	
	<i>All</i>	<i>1977 on</i>	<i>RUJ-2041HD</i>	<i>RUJ-2041HD</i>	<i>RUJ-2041HD</i>	
<i>DYNA</i>	<i>All</i>	<i>1962-74</i>	<i>K5-A519</i>	<i>K5-A519</i>	<i>K5-A519</i>	
	<i>All</i>	<i>1974-84</i>	<i>RUJ-2041HD</i>	<i>RUJ-2041HD</i>	<i>RUJ-2041HD</i>	
	<i>Dyna 100</i>	<i>1986-01</i>	<i>RUJ-2016</i>		<i>RUJ-2016</i>	
	<i>Dyna 150</i>	<i>1985-88</i>	<i>RUJ-2109HD</i>		<i>RUJ-2109HD</i>	
	<i>Dyna 200, 300, 400</i>	<i>1985 on</i>	<i>RUJ-2041HD</i>	<i>RUJ-2041HD</i>	<i>RUJ-2041HD</i>	
<i>HIACE</i>	<i>RH, LH</i>	<i>1967-89</i>	<i>RUJ-2016</i>		<i>RUJ-2016</i>	
	<i>RZH/LH103,113</i>	<i>1989 on</i>	<i>RUJ-2100HD</i>		<i>RUJ-2100HD</i>	<i>SOME VEHICLES MAY HAVE STAKED JOINTS</i>
						<i>(UNSERVICEABLE WITHOUT SPECIAL TOOLING) REFER HARDY SPICER</i>
<i>HILUX , 4 RUNNER 2WD</i>						
	<i>RN13-RN41, LN30-LN56, YN55-YN58 , LN85, YN85</i>	<i>1968-88</i>	<i>RUJ-2016</i>	<i>RUJ-2016</i>	<i>RUJ-2016</i>	
	<i>2WD LN86, RN85, RN90, RZN147, 149, 154</i>	<i>1988 on</i>	<i>RUJ-2100HD</i>	<i>RUJ-2100HD</i>	<i>RUJ-2100HD</i>	
	<i>4WD LN40, LN46</i>	<i>1979-7/83</i>	<i>RUJ-2100HD</i>		<i>114-2501* X 2</i>	<i>FRONT SHAFT 12mm PIN SCV-34</i>
	<i>4WD LN40, LN46</i>	<i>1979-7/83</i>	<i>RUJ-2100HD</i>		<i>RUJ-2100HD</i>	<i>REAR SHAFT</i>
	<i>4WD LN65 , YN65, YN67, RN105, RN106, RN110, &amp;</i>	<i>8/83 ON</i>	<i>RUJ-2109HD</i>		<i>114-2501* X 2</i>	<i>FRONT SHAFT 13mm PIN CV-163</i>
	<i>RZN169, RZN174</i>	<i>8/83 ON</i>	<i>RUJ-2109HD</i>	<i>RUJ-2109HD</i>	<i>RUJ-2109HD</i>	<i>REAR SHAFT</i>
	<i>4WD VZN167R</i>	<i>10/01-2/05</i>	<i>RUJ-2109HD</i>		<i>114-2501* X 2</i>	<i>FRONT SHAFT 12mm PIN SCV-34</i>
	<i>4WD VZN167R</i>	<i>10/01-2/05</i>	<i>RUJ-2109HD</i>	<i>TBA</i>	<i>RUJ-2109HD</i>	<i>REAR SHAFT HAS A DOUBLE CARDAN ASSY IN MIDDLE</i>



Document No:	HSRWDCAT
Issue:	9
Issue Date:	01/03/07

# APPLICATION LISTING



Make	Year	Joint Position			Notes
		Front	Middle	Rear	
<b>TRIUMPH</b>					
DOLOMITE	ALSO SPRINT	1975-78	K5-LGB80R		K5-LGB80R
SPITFIRE	GTS	1962-81	K5-LGB80R		K5-LGB80R
TR4		1961-66	K5-L4R		K5-L4R
TR4A, TR5, TR6		1966-77	K5-L4R		K5-L4R
STAG		1972-78	K5-L4R		K5-L4R
2000, 2500 MK1,2		1966-78	K5-LGB80R		K5-LGB80R
		1966-78	RUJ-1786R		RUJ-1786R
		1966-78			K5-L4R
TR7		1978-81	K5-LGB80R		K5-LGB80R
<b>VOLVO</b>					
140 SERIES	ALL	1967-73	K5-LGB80R		K5-LGB80R
	B20E, CB20	1973-75	K5-13XR	K5-13XR	K5-13XR
	B20, B20A	1973-75	K5-LGB80R	K5-LGB80R	K5L4R
160 SERIES	164E, 164TE, B30E	1972-75	K5-13XR	K5-13XR	K5-13XR
240 SERIES	B21A, B23E, B230E, B230F	1975-87	K5-LGB80R	K5-LGB80R	K5-L4R
	B21E	1975-80	K5-13XR	K5-13XR	K5-13XR
260 SERIES	262, 264, 265	1975-86	K5-13XR	K5-13XR	K5-13XR
740, 760 SERIES		1983-90	K5-13XR	K5-13XR	K5-13XR
		1983-90	K5-13XR	K5-L4R	K5-L4R
		1983-90	K5-L4R	K5-L4R	K5-L4R
					SOME
					SOME
					SOME



## UNIVERSAL JOINT KITS

### IDENTIFICATION OF UNIVERSAL JOINT KITS

#### DETERMINE KIT TYPE FROM ILLUSTRATIONS

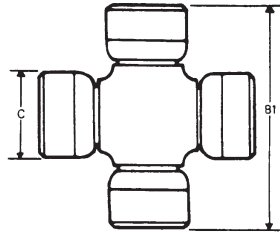


Fig.1

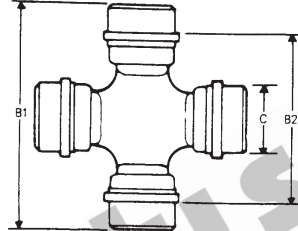


Fig.2

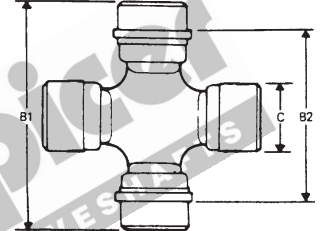


Fig.3

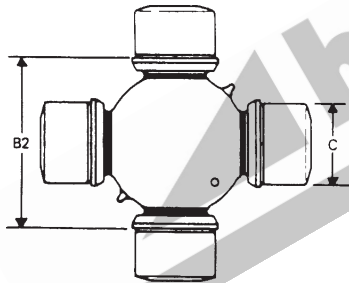


Fig.4

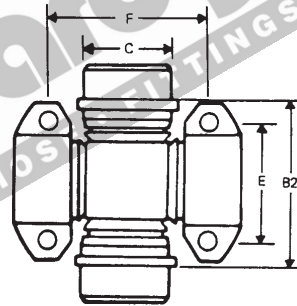


Fig.5

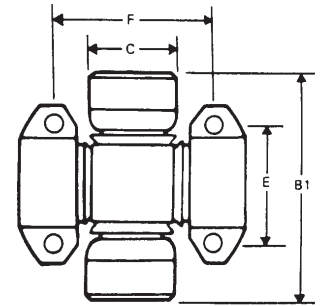


Fig.6

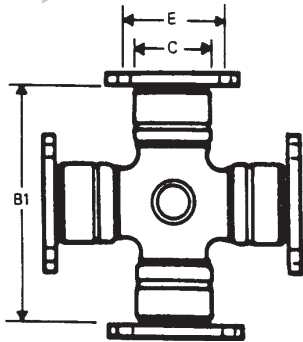


Fig.7

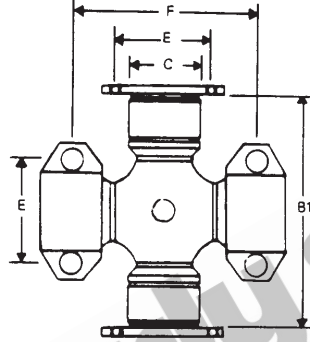


Fig.8

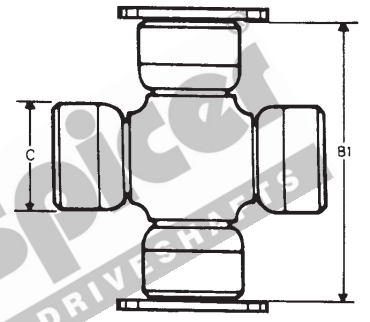


Fig.9

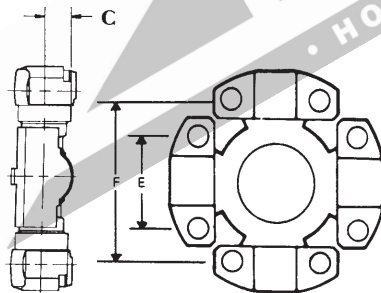


Fig.10

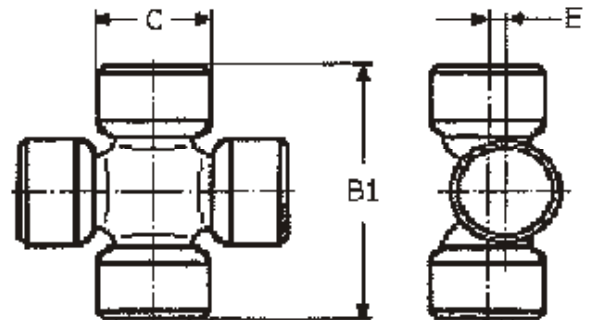


Fig.11

www.hardyspicer.com.au

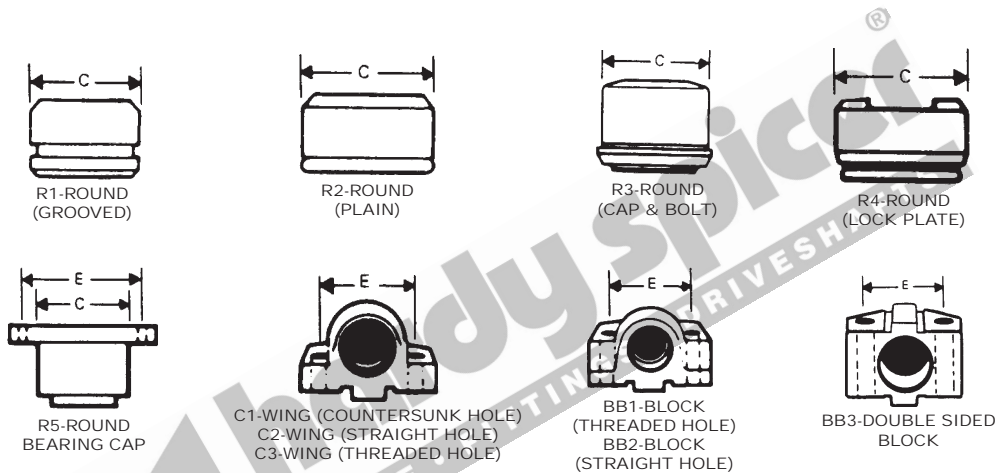
Document No:	HSRWDCAT
Issue:	9
Issue Date:	01/03/07

This catalogue is the copyright of Hardy Spicer

## UNIVERSAL JOINT KITS

### IDENTIFICATION OF BEARING TYPES & DIMENSIONS

#### BEARING TYPES & DIMENSIONS



### HOW TO MEASURE UNIVERSAL JOINT KITS

Follow these simple steps:-

#### STEP ONE

DETERMINE KIT TYPE FROM ILLUSTRATIONS

#### STEP TWO

##### Figures 1-4

- Measure Bearing Cap Diameter Dimension 'C'
- Measure 'B1' and/or 'B2'
- Check Bearing Cap Type and quantity.

##### Figures 5-9

- Measure Bearing Cap Diameter Dimension 'C'
- Measure 'B1' or 'B2'
- Measure Dimensions 'E' and/or 'F'
- Check Bearing Cap Type and quantity.

##### Figure 10

- Measure Dimensions 'E' and 'F'
- Check Bearing Cap Type and quantity.

#### IMPORTANT

Measure with Bearing Caps compressed-ensure that Needle Rollers are not dislodged.

### NOTES

- |   |  |
|---|--|
| 1. Non Lubricated                                     | 11. Lubed for life / Heavy Duty              |
| 2. Lubricated - Side                                  | 12. Kit supplied with only 2 Circlips        |
| 3. Lubricated - Centre                                | 13. Kit supplied with only 2 Snap Rings      |
| 4. Lubricated - Bearing Cap                           | 14. Use Strap Kit P/No. 5-70-28              |
| 5. 4 Snap Rings / 4 Circlips included                 | 15. Use Strap Kit P/No. 6-5-70-18            |
| 6. 3 Hole Bearing Plate Type                          | 16. Wheel Joint                              |
| 7. Uses 14.27mm (.562") Cap Screws                    | 17. Uses 19.05mm (.750") Cap Screws          |
| 8. Uses 15.88mm (.625") Cap Screws                    | 18. Lubricated - Side Of Bearing Cap         |
| 9. Centre Hole through UJ Kit                         | 19. Supplied with multiple sets of circlips. |
| 10. Measured inside face to inside face of Snap Rings | 20. B2 measurements include circlips         |

www.hardyspicer.com.au

Document No:	HSRWDCAT
Issue:	9
Issue Date:	01/03/07

This catalogue is the copyright of Hardy Spicer

## UNIVERSAL JOINT KITS

### IDENTIFICATION BY PART NUMBER

PART NUMBER	SEE REF. NUMBER	PART NUMBER	SEE REF. NUMBER	PART NUMBER	SEE REF. NUMBER
114-10003	1180	114-8206	1126	5-675X	841
114-10007	1183	114-8207	1129	5-676X	859
114-10011	1186	114-8209	1135	5-677X	853
114-10033	1177	114-8210	1138	5-74X	334
114-1004	199	114-8211	1141	5-88X	601
114-10500	1171	114-8508	1150	CP35N-3	532
114-11002	1174	114-8514	1147	CP4N	535
114-12002	1192	114-8516	1144	CP55N	676
114-15002	1195	114-8516HD	1145	CP58WB-29	1093
114-15002PL	1196	114-9014HD	1153	CP58WB-37	1099
114-1501	202	114-9015	1156	CP58WB-38	1096
114-162	530	114-9016	1159	CP6N	832
114-2101	265	114-9016HD	1160	CP750N-1	706
114-2107	277	114-9017	1165	CP7N	883
114-2110	1000	114-9026	1168	CP850N-4	835
114-2111	268	114-9038	1161	CP950N	946
114-2114	271	114-9500	1162	CPL10N-2	133
114-2116	1003	5-124X	940	CPL14N	418
114-2117	1009	5-134X	325	K5-13XR	316
114-2185	1006	5-150X	323	K5-13XRHD	317
114-232	439	5-155X	602	K5-13XRHDPL	318
114-2501	424	5-155XHD	603	K5-A13XR	322
114-3100	1015	5-155XLFL	604	K5-A18R	493
114-3101	1018	5-165X	709	K5-A510	55
114-3102	442	5-170X	169	K5-A517	58
114-3103	1021	5-178-4X	490	K5-A519	421
114-3105	436	5-178X	487	K5-A522	391
114-3105HD	437	5-178XHD	488	K5-A523	631
114-3120	1019	5-178XLHD	489	K5-A530	349
114-4100	1039	5-185X	916	K5-A532	184
114-4103	1042	5-186X	919	K5-A536	511
114-4105	1030	5-187X	922	K5-A537	343
114-4107	451	5-188X	589	K5-A538	592
114-4110	1033	5-212X	362	K5-A539	45
114-4113	1036	5-213X	346	K5-A541	496
114-4156	453	5-220X	605	K5-A542	682
114-5031	1060	5-221X	607	K5-A543	868
114-5109	559	5-248X	253	K5-A546	46
114-5110	562	5-252X	319	K5-A547	745
114-5122	1045	5-260X	347	K5-A548	898
114-5127	1054	5-264X	130	K5-A549	61
114-5132	565	5-279X	796	K5-A551	81
114-5148	1048	5-280X	838	K5-A553	103
114-5154	568	5-281X	856	K5-A554	109
114-5173	1057	5-297X	505	K5-A555	151
114-5177	1051	5-308X	907	K5-A556	205
114-5177HD	1052	5-314X	364	K5-A557	208
114-550	331	5-324X	862	K5-A558	214
114-596	352	5-326X	910	K5-A559	217
114-6103	1072	5-327X	913	K5-A561	367
114-6104	1063	5-328X	610	K5-A562	412
114-6107	571	5-330X	715	K5-A563	537
114-6114	1075	5-331X	712	K5-A564	553
114-6128	1066	5-339XD	970	K5-A566	619
114-6128HD	1067	5-345X	520	K5-A567	622
114-6135	1019	5-346X	522	K5-A568	625
114-6143	1069	5-347X	595	K5-A569	632
114-6150	570	5-348X	598	K5-A571	634
114-6152	1078	5-357X	517	K5-A572	649
114-6162	1084	5-407X	850	K5-A573	694
114-6163	1087	5-433-1X	321	K5-A574	736
114-6285	1081	5-443X	301	K5-A575	742
114-7126	1102	5-460X	341	K5-A576	751
114-7126HD	1103	5-469X	853	K5-A577	772
114-7205	1105	5-510X	859	K5-A578	775
114-7206	1114	5-515X	841	K5-A579	781
114-7207	1111	5-54X	955	K5-A580	790
114-7208	1108	5-618XD	359	K5-A581	793
114-7209	1117	5-625XD	315	K5-A582	811
114-7294	721	5-627XD	491	K5-A583	874
114-7295	1090	5-632XD	356	K5-A584	889
114-8014	724	5-633XD	363	K5-A585	475
114-8113	1120	5-634XD	350	K5-A586	778
114-8113HD	1121	5-641XD	510	K5-A587	34
114-8205	1123	5-674X	799	K5-A588	91

www.hardyspicer.com.au

Document No:	HSRWDCAT
Issue:	9
Issue Date:	01/03/07

This catalogue is the copyright of Hardy Spicer

## UNIVERSAL JOINT KITS

PART NUMBER	SEE REF. NUMBER	PART NUMBER	SEE REF. NUMBER	PART NUMBER	SEE REF. NUMBER
K5-A589	94	K5-A674	166	K5-A759	690
K5-A590	370	K5-A675	646	K5-A760	482
K5-A591	523	K5-A676	388	K5-A761	984
K5-A592	538	K5-A678	481	K5-A762	765
K5-A593	628	K5-A679	556	K5-A763	657
K5-A594	703	K5-A680	577	K5-A764	656
K5-A595	727	K5-A681	580	K5-A765	593
K5-A596	757	K5-A682	583	K5-A766	38
K5-A597	877	K5-A683	655	K5-A767	368
K5-A598	814	K5-A684	658	K5-A768	933
K5-A599	820	K5-A685	661	K5-A769	650
K5-A600	934	K5-A686	733	K5-A770	999
K5-A601	937	K5-A687	766	K5-A771	615
K5-A603	31	K5-A688	844	K5-A772	978
K5-A605	769	K5-A689	808	K5-A772-4X	979
K5-A606	763	K5-A690	817	K5-A773	576
K5-A607	754	K5-A691	823	K5-A774	455
K5-A609	145	K5-A692	865	K5-A775	953
K5-A610	292	K5-A693	613	K5-A776	287
K5-A611	479	K5-A694	904	K5-A777	197
K5-A612	616	K5-A695	944	K5-A778	770
K5-A612HD	617	K5-A696	847	K5-A784	753
K5-A614	748	K5-A697	4	K5-A785	938
K5-A615	88	K5-A698	10	K5-A786	896
K5-A616	652	K5-A699	19	K5-GB10R	508
K5-A617	787	K5-A700	25	K5-GB10RHD	509
K5-A618	901	K5-A701	37	K5-GB150	160
K5-A619	886	K5-A702	40	K5-GB15R	688
K5-A620	928	K5-A703	49	K5-GB22R	685
K5-A620-4X	929	K5-A704	826	K5-GB35	313
K5-A621	100	K5-A705	7	K5-L4R	307
K5-A622	729	K5-A706	16	K5-LGB36R	310
K5-A623	802	K5-A707	961	K5-LGB80R-SP	161
K5-A624	925	K5-A708	967	K5-LGB80R	163
K5-A625	958	K5-A709	973	RUJ-0500	26
K5-A626	964	K5-A710	982	RUJ-0600	154
K5-A627	976	K5-A711	991	RUJ-0601	172
K5-A628	983	K5-A711-4X	990	RUJ-0602	64
K5-A629	988	K5-A712	994	RUJ-0603	70
K5-A630	943	K5-A713	997	RUJ-1500	142
K5-A631	829	K5-A714	971	RUJ-1501	118
K5-A632	679	K5-A715	980	RUJ-1502	139
K5-A633	805	K5-A716	986	RUJ-1503	136
K5-A634	952	K5-A717	993	RUJ-1504	115
K5-A635	13	K5-A718	995	RUJ-1505	84
K5-A636	871	K5-A719	996	RUJ-1506	86
K5-A637	43	K5-A722	887	RUJ-1700	372
K5-A638	664	K5-A723	581	RUJ-1701	196
K5-A639	691	K5-A724	478	RUJ-1702	232
K5-A64	157	K5-A725	686	RUJ-1703	203
K5-A643	949	K5-A726	552	RUJ-1758	250
K5-A644	320	K5-A727	371	RUJ-1764	247
K5-A645	670	K5-A728	525	RUJ-1766	178
K5-A646	673	K5-A729	588	RUJ-1768	247
K5-A647	931	K5-A730	594	RUJ-1776	289
K5-A648	79	K5-A731	732	RUJ-1780	67
K5-A649	76	K5-A732	794	RUJ-1781	226
K5-A650	106	K5-A733	942	RUJ-1784	223
K5-A651	112	K5-A734	374	RUJ-1786	238
K5-A652	127	K5-A735	524	RUJ-1786R	241
K5-A653	124	K5-A736	984	RUJ-1788	304
K5-A654	121	K5-A737	977	RUJ-1795	220
K5-A655	190	K5-A738	369	RUJ-1796	235
K5-A656	181	K5-A739	392	RUJ-1797	148
K5-A657	187	K5-A740	293	RUJ-1798	256
K5-A658	895	K5-A741	411	RUJ-1800	83
K5-A659	880	K5-A742	730	RUJ-1801	179
K5-A660	637	K5-A743	947	RUJ-2016	295
K5-A661	73	K5-A747	992	RUJ-2023	409
K5-A662	784	K5-A748	692	RUJ-2027	340
K5-A665	700	K5-A749	618	RUJ-2028	382
K5-A666	22	K5-A749-4X	619	RUJ-2029	376
K5-A667	28	K5-A753	731	RUJ-2030	259
K5-A668	1	K5-A754	873	RUJ-2030R	262
K5-A669	52	K5-A755	752	RUJ-2032	280
K5-A670	892	K5-A756	950	RUJ-2033	460
K5-A671	85	K5-A757	308	RUJ-2034	286
K5-A672	97	K5-A758	893	RUJ-2036	461

www.hardyspicer.com.au

Document No:	HSRWDCAT
Issue:	9
Issue Date:	01/03/07

## UNIVERSAL JOINT KITS

PART NUMBER	SEE REF. NUMBER
RUJ-2038	377
RUJ-2038R	379
RUJ-2039	355
RUJ-2040	229
RUJ-2041	544
RUJ-2041HD	545
RUJ-2045	211
RUJ-2046	1012
RUJ-2049	298
RUJ-2050	394
RUJ-2051	415
RUJ-2052	397
RUJ-2053	400
RUJ-2054	380
RUJ-2078	547
RUJ-2100	466
RUJ-2106	378
RUJ-2109	467
RUJ-2109HD	468
RUJ-2110	463
RUJ-2113	469
RUJ-2114	403

PART NUMBER	SEE REF. NUMBER
RUJ-2500	428
RUJ-2500R	427
RUJ-2502	430
RUJ-2503	433
RUJ-2505	454
RUJ-2507	328
RUJ-2508	385
RUJ-2509	472
RUJ-3000	361
RUJ-3001	502
RUJ-3002	358
RUJ-3003	541
RUJ-3004	586
RUJ-3005	643
RUJ-3006	484
RUJ-3007	550
RUJ-3009	574
RUJ-3011	471
RUJ-4000	445
RUJ-4002	448
RUJ-4003	1024
RUJ-4005	452

PART NUMBER	SEE REF. NUMBER
RUJ-4007	529
RUJ-4008	514
RUJ-4009	640
RUJ-4010	485
RUJ-5001	739
RUJ-5002	760
RUJ-5004	551
RUJ-7000	1132
RUJ-7001	704
RUJ-7002	718
RUJ-7003	623
RUJ-8001	697
RUJ-8002	1133
RUJ-9902	1139
RUJ-11000	1170
RUJ-11500	1169
RUJ-12500	1190
RUJ-14000	1200
RUJ-14001	1205
SPL90	707
SPL170X	902
SPL250X	942

www.hardyspicer.com.au

Document No:	HSRWDCAT
Issue:	9
Issue Date:	01/03/07

This catalogue is the copyright of Hardy Spicer

UNIVERSAL JOINT KITS



[www.hardyspicer.com.au](http://www.hardyspicer.com.au)

Document No:	HSRWDCAT
Issue:	9
Issue Date:	01/03/07

This catalogue is the copyright of Hardy Spicer

## UNIVERSAL JOINT KITS

### IDENTIFICATION BY PART SIZE

REF #	FIG	C	B1	B2	E	F	BEARING TYPE	PART #	SEE NOTES	DESCRIPTION
1	1	14.00	36.00				R2-4	K5-A668	3	ELBE 204 SERIES
4	1	15.00	38.00				R2-4	K5-A697	1	STAKED STEERING
7	1	15.00	39.00				R2-4	K5-A705	1	STAKED STEERING
10	1	15.00	40.00				R2-4	K5-A698	1	STAKED STEERING
13	1	15.00	40.20				R2-4	K5-A635	1	WILLI ELBE 058
16	1	15.00	41.00				R2-4	K5-A706	1	GWB 473-10
19	1	16.00	38.00				R2-4	K5-A699	1	STAKED STEERING
22	1	16.00	39.00				R2-4	K5-A666	1	STAKED STEERING
25	1	16.00	40.00				R2-4	K5-A700	1	STAKED STEERING
26	2	16.00		27.00			R1-4	RUJ-0500	4	KAWASAKI / NISSAN
28	1	17.00	41.00				R2-4	K5-A667	1	ELBE 105 SERIES
31	1	17.00	42.00				R2-4	K5-A603	3	GWB 173-10
34	1	18.00	47.00				R2-4	K5-A587	3	WALTERSCHEID W2000
37	1	19.00	44.00				R2-4	K5-A701	3	STEERING
38	1	19.00	44.40				R2-4	K5-A766	1	STAKED BMW MOTORCYCLE
40	1	19.00	48.00				R2-4	K5-A702	3	STAKED STEERING
43	1	19.00	48.00				R2-4	K5-A637	3	GWB 473-20 / ELBE 106
45	1	19.05	51.96				R2-4	K5-A539	1	500 SERIES NON LUBE
46	1	19.05	51.96				R2-4	K5-A546	3	500 SERIES CENTRE LUBE
49	1	20.00	44.20				R2-4	K5-A703	1	MOTO GUZZI
52	1	20.00	44.70				R2-4	K5-A669	1	KUBOTA
55	1	20.00	55.00				R2-4	K5-A510	1	MAZDA
58	1	20.00	57.00				R2-4	K5-A517	1	TOYOTA
61	1	20.00	57.50				R2-4	K5-A549	3	JAPANESE PTO
64	2	20.00		29.80			R1-4	RUJ-0602	3	JAPANESE PTO
67	2	20.00		38.10			R1-4	RUJ-1780	4	NISSAN
70	2	20.01		40.00			R1-4	RUJ-0603	1	TOYOTA T.C.M./KAWASAKI
73	1	20.00	58.00				R2-4	K5-A661	3	HINO
76	1	20.07	59.80				R2-4	K5-A649	1	STAKED SUZUKI
79	1	20.07	52.40				R2-4	K5-A648	1	NISSAN
81	1	20.50	56.50				R2-4	K5-A551	3	JAP. STEERING & PTO
83	2	22.00		35.10			R1-4	RUJ-1800	1	KAWASAKI M/CYCLES
84	2	22.00		38.50			R1-4	RUJ-1505	1	STAKED REPL. MAZDA
86	2	22.00		39.60			R1-4	RUJ-1506	1	FORKLIFTS
85	1	22.00	49.00				R2-4	K5-A671	1	MOTO GUZZI
88	1	22.00	50.20				R2-4	K5-A615	3	MOTO GUZZI
91	1	22.00	54.00				R2-4	K5-A588	3	T10 PTO
94	1	22.00	55.00				R2-4	K5-A589	3	WALTERSCHEID
97	1	22.00	58.00				R2-4	K5-A672	3	ELBE 107 SERIES
100	1	22.00	59.00				R2-4	K5-A621	3	GWB 473-30 SERIES
103	1	22.00	62.00				R2-4	K5-A553	3	JAPANESE PTO
106	1	22.00	64.00				R2-4	K5-A650	1	STAKED FORD
109	1	22.00	65.00				R2-4	K5-A554	1	HONDA
112	1	22.00	67.00				R2-4	K5-A651	1	STAKED FORD
115	2	22.00		35.50			R1-4	RUJ-1504	4	STAKED REP.TOY/NISSAN
118	2	22.00		40.00			R1-4	RUJ-1501	1	MIT/TOY/FORKLIFT PTO
121	1	22.06	57.50				R2-4	K5-A654	1	TOYOTA
124	1	22.06	61.70				R2-4	K5-A653	1	ISUZU / MAZDA
127	1	22.06	64.50				R2-4	K5-A652	1	STAKED MITSUBISHI
130	1	22.20	73.60				R2-4	5-264X	3	1 FR SERIES
133	1	22.22	61.93				R2-4	CPL10N-2	4	L10N
136	2	22.50		37.50			R1-4	RUJ-1503	2	DAIHATSU
139	2	22.50		37.50			R1-4	RUJ-1502	1	DAIHATSU
142	2	22.50		37.65			R1-4	RUJ-1500	1	MAZDA
145	1	23.00	58.50				R2-4	K5-A609	3	GWB 273-30
148	2	23.00		49.00			R1-4	RUJ-1797	1	SUBARU
151	1	23.00	61.20				R2-4	K5-A555	2	JAPANESE PTO
154	2	23.80		37.70			R1-4	RUJ-0600	3	0600 SERIES
157	1	23.80	61.30				R2-4	K5-A64	3	1140 / T20 PTO
160	1	23.80	61.30				R2-4	K5-GB150	1	1140 AUTOMOTIVE
161	1	23.80	61.30				R2-4	K5-LGB80R-SP	4	1140 AUTO LUBE IN CAP

www.hardyspicer.com.au

Document No:	HSRWDCAT
Issue:	9
Issue Date:	01/03/07

This catalogue is the copyright of Hardy Spicer

## UNIVERSAL JOINT KITS

REF #	FIG	C	B1	B2	E	F	BEARING TYPE	PART #	SEE NOTES	DESCRIPTION
163	1	23.80	61.30				R2-4	K5-LGB80R	2	1140 AUTOMOTIVE
166	1	23.80	65.90				R2-4	K5-A674	2	HINO STEERING
169	2	23.80		38.10			R1-4	5-170X	3	1000 SERIES
172	2	23.80		37.70			R1-4	RUJ-0601	3/19	600 & 1000 SERIES TO L6N SERIES
	2	23.80		38.10						
	2	24.60		36.80						
178	3	23.80	61.30				R2-2	RUJ-1766	4	1140 SERIES TO 17R SERIES
	3	25.40		43.64			R1-2			
179	3	23.80	61.30				R2-2	RUJ-1801	1	1140 SERIES TO SUZUKI
	3	25.00		42.90			R1-2			
184	1	24.00	63.30				R2-4	K5-A532	2	ALFA ROMEO
187	1	24.00	74.50				R2-4	K5-A657	1	STAKED MERCEDES
190	1	24.00	78.00				R2-4	K5-A655	1	STAKED FORD
196	2	24.00		48.00			R1-4	RUJ-1701	4	STAKED REPL. MAZDA
181	1	24.06	62.50				R2-4	K5-A656	1	STAKED BMW
197	1	24.06	71.40				R2-4	K5-A777	1	STAKED MAZDA
202	1	24.60		42.87			R1-4	114-1501	2	CATERPILLAR
199	2	24.61		36.80			R1-4	114-1004	3	L6N SERIES
203	2	24.70		41.70			R1-4	RUJ-1703	1	STAKED NISS/MAZ/TOY
205	1	25.00	63.80				R2-4	K5-A556	1	MAZDA / MITSUBISHI
208	1	25.00	64.00				R2-4	K5-A557	4	HONDA
211	1	25.00	76.50				R2-4	RUJ-2045	2	MITSUBISHI TRITON
214	1	25.00	77.00				R2-4	K5-A558	2	MITSUBISHI
220	2	25.00		42.90			R1-4	RUJ-1795	3	SUZUKI
223	2	25.00		43.60			R1-4	RUJ-1784	1	MAZDA
226	2	25.00		44.00			R1-4	RUJ-1781	1	NISSAN
229	2	25.00		56.00			R1-4	RUJ-2040	1	NISSAN
232	2	25.00		58.70			R1-4	RUJ-1702	1	TOYOTA T.C.M.
235	2	25.10		44.00			R1-4	RUJ-1796	1	SUBARU
238	2	25.40		43.64			R1-4	RUJ-1786	4	17R HOLDEN
241	2	25.40		43.64			R1-4	RUJ-1786R	1	17R HOLDEN H.D.
247	5	25.40		43.64			R1-2	RUJ-1764	4	EARLY HOLDEN CHAMBERLAIN TRACTOR
					33.34	44.45	C3-2			
250	5	25.40		43.64			R1-2	RUJ-1758	4	EARLY HOLDEN 17R SERIES
					33.34	52.78	C3-2			
253	3	25.40		43.64			R1-2	5-248X	3	17R SERIES TO 1210 SERIES
		26.99	61.93				R2-2			
256	2	25.40		46.80			R1-4	RUJ-1798	3	BENBOW PTO
259	2	25.40		59.53			R1-4	RUJ-2030	1	2R SERIES
262	2	25.40		59.53			R1-4	RUJ-2030R	1	2R SERIES H.D.
265	2	25.40		59.53			R1-4	114-2101	4	2R SERIES
268	5	25.40		59.53			R1-2	114-2111	2/4	2R SERIES TO 2C MECH
					33.34	59.53	C3-2			
271	5	25.40		59.53			R1-2	114-2114	4	2R SERIES TO 2C MECH
					33.34	59.53	C1-2			
277	5	25.40		59.53			R1-2	114-2107	2	2R SERIES
					33.34	61.52	C1-2			
280	3	25.40		59.53			R1-2	RUJ-2032	1	2R SERIES TO 1310 SERIES
		26.99	81.76				R2-2			
286	2	25.40		59.53			R1-4	RUJ-2034	2	2R TO 25R SERIES & FORD 1310
		28.58	81.76	59.53			R2-2			
287	1	25.40	85.80				R2-4	K5-A776	3	KATO CRANE
289	2	26.00		46.60			R1-4	RUJ-1776	4	TOYOTA
292	1	26.00	69.80				R2-4	K5-A610	3	GWB 287-00
293	1	26.00	69.80				R2-4	K5-A740	4	GWB 287.00 LUBE IN CAP
295	2	26.00		55.96			R1-4	RUJ-2016	1	TOYOTA
298	2	26.50		50.40			R1-4	RUJ-2049	1	MAZDA E.2200
301	1	26.99	61.93				R2-4	5-443X	4	1210 SERIES
304	2	26.99		46.04			R1-4	RUJ-1788	3	12N SERIES
307	1	26.99	74.61				R2-4	K5-L4R	2	1300 SERIES
308	1	26.99	74.61				R2-4	K5-A757	2	1300 SERIES HEAVY DUTY
310	1	26.99	74.61				R2-4	K5-LGB36R	3	1300 / T40 PTO
313	1	26.99	74.61				R2-4	K5-GB35	1/16	1300 AXLE JOINT - NO SEALS
315	1	26.99	81.76				R2-4	5-625XD	1	1310 SERIES H/D Solid cross
316	1	26.99	81.76				R2-4	K5-13XR	2	1310 SERIES

www.hardyspicer.com.au

Document No:	HSRWDCAT
Issue:	9
Issue Date:	01/03/07

## UNIVERSAL JOINT KITS

REF #	FIG	C	B1	B2	E	F	BEARING TYPE	PART #	SEE NOTES	DESCRIPTION
317	1	26.99	81.76				R2-4	K5-13XRHD	2	1310 SERIES HEAVY DUTY
318	1	26.99	81.76				R2-4	K5-13XRHDPL	1	1310 Series H/D Solid cross
319	1	26.99	81.76				R2-4	5-252X	1	1310 SERIES
320	1	26.99	81.76				R2-4	K5-A644	2	1310 SERIES HIGH ANGLE
321	1	26.99	81.76				R2-4	5-433-1X	4	1310 SERIES LUBE IN CAP
322	1	26.99	81.76				R2-4	K5-A13XR	3	1310 SERIES PTO
323	1	26.99 28.58	81.76 92.08				R2-4	5-150X	2	1310 SERIES TO 1330 SERIES 9" DIFF
325	1	26.99 26.99	81.76 92.08				R2-4	5-134X	2	1310 SERIES TO 1330 SERIES
328	6	26.99	81.76		33.34	59.53	R2-2 C3-2	RUJ-2507	2	1310 SERIES TO 2C MECH
331	2	26.99 28.58	81.76	65.10			R2-2 R1-2	114-550	2	1310 SERIES TO 3R SERIES
334	2	26.99		55.00			R1-4	5-74X	1/16	1310 AXLE JOINT-NO SEALS
340	2	26.99	81.76	60.32			R1-4	RUJ-2027	2/5	FORD CLEVELAND & 1280 SERIES
341	1	26.99 30.16	81.76 92.08				R2-4	5-460X	1	1310 x 1350 SERIES
343	1	26.99 30.16	92.08 92.08				R2-4	K5-A537	2	1330 SERIES TO 1350 SERIES
346	1	26.99	92.08				R2-4	5-213X	2	1330 SERIES
347	2	26.99		55.00			R1-4	5-260X	1	JEEP AXLE JOINT
349	3	26.99 27.38	81.76	54.00			R2-2 R1-2	K5-A530	2	1310 SERIES TO 21R SERIES
350	3	26.99 27.38	81.76	54.00			R2-2 R1-2	5-634XD	1	1310 SERIES TO 21R SERIES SOLID CROSS
352	3	26.99 28.58	92.08 65.10				R2-2 R1-2	114-596	2	1330 SERIES TO 3R SERIES
355	1	26.99 28.58	81.76 81.76	59.53			R2-2 R1-2	RUJ-2039	2	1310 SERIES TO 9" FORD DIFF & 25R
356	1	26.99 28.58	81.76 81.76				R2-2 R1-2	5-632XD	1	1310 SERIES TO 9" FORD DIFF SOLID CROSS
358	2	26.99	92.08	70.00			R1-4	RUJ-3002	2/5	1330 SERIES
359	2	26.99	92.08				R1-4	5-618XD	1	1330 SERIES SOLID
361	3	26.99 28.58	92.08	70.00			R1-4	RUJ-3000	2	1330 SERIES TO 1330 SERIES 9" DIFF
362	1	26.99 28.58	92.08 92.08				R2-4	5-212X	2	1330 SERIES TO 1330 SERIES 9" DIFF
363	1	26.99 28.58	92.08 92.08				R2-4	5-633XD	1	1330 SERIES TO 1330 SERIES 9" DIFF SOLID
364	6	26.99	92.08		36.52	69.85	R2-2 C3-2	5-314X	2	1330 SERIES TO 3C MECH
367	1	27.00	65.30				R2-4	K5-A561	4	MITSUBISHI
368	2	27.00	69.80				R2-4	K5-A767	3	VW SYNCHRO
369	1	27.00	70.00				R2-4	K5-A738	18	ELBE 408 SERIES AXLE
370	1	27.00	70.00				R2-4	K5-A590	3	T30 PTO
371	1	27.00	74.50				R2-4	K5-A727	3	GWB 687-15
372	2	27.00		49.02			R1-4	RUJ-1700	4	NISSAN NAVARA
374	1	27.00 27.00	91.20 85.80				R2-4	K5-A734	3	T40 WIDE ANGLE
376	3	27.39 28.58	81.76	54.00			R1-2 R2-2	RUJ-2029	1	21R SERIES TO FORD 9" DIFF
377	2	27.39		54.00			R1-4	RUJ-2038	1	21R SERIES
378	2	27.39		54.00			R1-4	RUJ-2038R	1	21R SERIES PREMIUM
379	2	27.39		54.00			R1-4	RUJ-2106	3	MARINE STERN DRIVE
380	2	27.90		50.70			R1-4	RUJ-2054	1	STAKED REPL. NISSAN
382	2	28.00		55.96			R1-4	RUJ-2028	2	NISSAN
385	2	28.00		48.00			R1-4	RUJ-2508	2	MERCEDES BENZ
388	1	28.00	71.50				R2-4	K5-A676	4	ELBE 109 SERIES (OLD)
391	1	28.00	80.00				R2-4	K5-A522	3	DAIHATSU
392	1	28.00 26.99	80.00 81.76				R2-4	K5-A739	2	DAIHATSU / 1310
394	2	28.00		53.00			R1-4	RUJ-2050	2	MERCEDES BENZ
397	2	28.00		53.00			R1-4	RUJ-2052	1/9	BENZ HOLE IN CROSS

www.hardyspicer.com.au

Document No:	HSRWDCAT
Issue:	9
Issue Date:	01/03/07

This catalogue is the copyright of Hardy Spicer

## UNIVERSAL JOINT KITS

REF #	FIG	C	B1	B2	E	F	BEARING TYPE	PART #	SEE NOTES	DESCRIPTION
400	2	28.00		54.00			R1-4	RUJ-2053	2	MERCEDES BENZ
403	2	28.00		55.96			R1-2	RUJ-2114	2	NISSAN TO
		26.99	81.76				R2-2			1310 SERIES
409	2	28.00		59.10			R1-4	RUJ-2023	2	MAZDA
411	1	28.50	70.90				R2-4	K5-A741	3	ELBE 109 (NEW)
412	1	28.50	78.00				R2-4	K5-A562	3	MINI COOPER
415	2	28.55		65.40			R1-4	RUJ-2051	2	GWB 185-10
418	1	28.58	66.67				R2-4	CPL14N	3	2000 P.T.O. SERIES
421	1	28.58	77.90				R2-4	K5-A519	3	TOYOTA
424	2	28.58		54.00			R1-4	114-2501	4	25R JAP CARDAN
427	2	28.58		59.53			R1-4	RUJ-2500R	1	25R SERIES HD
428	2	28.58		59.53			R1-4	RUJ-2500	1	25R SERIES
433	2	28.58		59.53			R1-4	RUJ-2503	4	25R SERIES LUBE
436	2	28.58		65.10			R1-4	114-3105	2	3R SERIES
437	2	28.58		65.10			R1-4	114-3105HD	1	3R SERIES SOLID CROSS
439	2	28.58		66.67			R1-4	114-232	2	CHRYSLER JOINT
442	5	28.58		65.10			R1-2	114-3102	2	3R SERIES TO
					36.52	69.85	C3-2			3C MECH
445	2	28.58		82.55			R1-4	RUJ-4000	2	4R SERIES
448	5	28.58		82.55			R1-2	RUJ-4002	2	4R TO 4C MECH
					36.52	87.32	C1-2			COUNTER SUNK HOLES
451	5	28.58		82.55			R1-2	114-4107	2	4R SERIES TO
					36.52	87.32	C1-2			4C MECH
452	5	28.58		82.55			R1-2	RUJ-4005	2	4R SERIES TO
					36.52	87.32	C3-2			4C MECH
453	5	28.58		82.55			R1-2	114-4156	2	4R SERIES TO
					36.52	87.32	BB2-2			4C MECH
454	2	28.60		65.10			R1-4	RUJ-2505	2	DAIHATSU / FURKAWA
455	1	28.60	74.60				R2-4	K5-A774	1	FIAT 130
460	2	29.00		53.10			R1-4	RUJ-2033	2	ISUZU / HOLDEN
461	2	29.00		53.10			R1-4	RUJ-2036	4	ISUZU / HOLDEN
463	3	29.00		53.10			R1-2	RUJ-2110	2	ISUZU TO
		26.99	81.76				R2-2			1310 SERIES
466	2	29.00		52.00			R1-4	RUJ-2100	4	TOYOTA HILUX 4WD
467	2	29.00		52.00			R1-4	RUJ-2109	3	TOYOTA HILUX 4WD
468	2	29.00		52.00			R1-4	RUJ-2109HD	3	TOYOTA 4WD HEAVY DUTY
469	3	29.00		52.00			R1-2	RUJ-2113	2	TOYOTA HILUX 4WD TO
		26.99	81.76				R2-2			1310 SERIES
471	2	29.02		72.00			R1-4	RUJ-3011	2	HOLDEN JACKEROO
472	2	29.50		56.00			R1-4	RUJ-2509	2	MERCEDES BENZ
475	1	30.00	78.20				R2-4	K5-A585	3	MINI COOPER
478	11	30.00	79.00		5.00		R2-4	K5-A724	16/18	ELBE 509 SERIES OFFSET
479	1	30.00	81.80				R2-4	K5-A611	3	GWB 287-10
481	1	30.00	83.00				R2-4	K5-A678	4/16	ELBE 409 SERIES
482	1	30.00	83.00				R2-4	K5-A760	3	ELBE 110 SERIES
484	2	30.00		58.30			R1-4	RUJ-3006	3	MINI COOPER/PAJERO
485	2	30.00		74.20			R1-4	RUJ-4010	3	MINI COOPER PAJERO
487	1	30.16	92.08				R2-4	5-178X	2	1350 SERIES
488	1	30.16	92.08				R2-4	5-178XHD	1	1350 SERIES HEAVY DUTY
489	1	30.16	92.08				R2-4	5-178XLHD	2	1350 HEAVY DUTY WITH LUBE
490	1	30.16	92.08				R2-4	5-178-4X	4	1350 LUBED IN 4 x CAPS
491	1	30.16	92.08				R2-4	5-627XD	1	1350 SERIES H/D Solid Cross
493	1	30.20	92.08				R2-4	K5-A18R	3	1350 / T60 PTO
496	1	30.16	92.08				R2-4	K5-A541	2	1350 SERIES TO
		28.58	92.08							1330 SERIES 9" DIFF
502	3	30.16	92.08				R2-2	RUJ-3001		FORD F500 SERIES
		30.16	65.10				R1-2			
505	2	30.16		55.57			R1-4	5-297X	1/16	1350 AXLE JOINT
508	1	30.16	106.30				R2-4	K5-GB10R	2	1410 SERIES
509	1	30.16	106.30				R2-4	K5-GB10RHD	2	1410 SERIES HEAVY DUTY
510	1	30.16	106.30				R2-4	5-641XD	1	1410 LUBE FOR LIFE
514	3	30.16	106.30				R2-2	RUJ-4008		S55 TO
		30.16		79.37			R1-2			1410 SERIES
517	3	30.16	106.30				R2-2	5-357X	2	1410 SERIES TO
		31.35		76.20			R1-2			5380 DETROIT

www.hardyspicer.com.au

Document No:	HSRWDCAT
Issue:	9
Issue Date:	01/03/07

## UNIVERSAL JOINT KITS

REF #	FIG	C	B1	B2	E	F	BEARING TYPE	PART #	SEE NOTES	DESCRIPTION
520	6	30.16	106.30		36.52	87.32	R2-2 BB2-2	5-345X	2	1410 SERIES TO 4C MECH - 2 x BLOCK (Str)
521	6	30.16	106.30		36.52	87.32	R2-2 C3-2	5-346X	2	1410 SERIES TO 4C MECH-2 x WING (Thread)
522	1	30.20	80.00				R2-4	K5-A591	3	T50 PTO
524	1	30.20 30.20	101.40 95.35				R2-4	K5-A735	3	T60 WIDE ANGLE
525	1	30.20	81.80				R2-4	K5-A728	3	GWB 687-20 SERIES
527	1	30.20	106.30				R2-4	K5-A536	3	1410 SERIES PTO
529	2	31.25		76.20			R1-4	RUJ-4007	2	5380 DETROIT
530	2	31.35		50.80			R1-4	114-162	2	CHRYSLER
531	1	31.70	102.00				R2-4	K5-A563	3	MITSUBISHI CANTER
532	1	31.75	81.36				R2-4	CP35N-3	3	ROCKWELL
535	1	31.75	103.09				R2-4	CP4N	3	ROCKWELL
538	1	32.00	76.00				R2-4	K5-A592	3	WALTERSCHEID
541	2	32.00		59.92			R1-4	RUJ-3003	3	MAZDA
544	2	32.00		64.00			R1-4	RUJ-2041	3	TOYOTA LANDCRUISER
545	2	32.00		64.00			R1-4	RUJ-2041HD	3	TOYOTA L/CRUISER H/D
547	3	32.00 30.16	92.08	63.85			R1-2 R2-2	RUJ-2078	4	TOYOTA LANDCRUISER TO 1350 SERIES
550	2	32.00		68.00			R1-4	RUJ-3007	3	NISSAN PATROL 1988 -
551	5	32.00		87.00			R1-2	RUJ-5004		FURUKAWA
552	1	32.00	86.00		42.85	88.90	BB2-2			
553	1	32.00	107.00				R2-4	K5-A726	2	JOHN DEERE
556	1	33.00	93.00				R4-4	K5-A564	3	NISSAN
556	1	33.00	93.00				R2-4	K5-A679	3	ISUZU
559	2	33.35		84.15			R1-4	114-5109	2	5R SERIES
562	5	33.35		84.15			R1-2	114-5110	2	5R SERIES TO 5C MECH
565	5	33.35		84.15	42.85	88.90	R1-2 C3-2	114-5132	2	5R SERIES TO 5C MECH
568	5	33.35		84.15	42.85	88.90	R1-2 BB2-2	114-5154	2	5R SERIES TO 5C MECH
569	2	33.35		109.55			R1-4	114-6135	2	6R SERIES
570	5	33.35		109.55	42.85	114.30	R1-2 BB2-2	114-6150	2	6R SERIES TO 6C MECH-2 x BLOCK (Str)
571	5	33.35		111.90	42.85	114.30	R1-2 C3-2	114-6107	2	6R SERIES TO 6C MECH-2 x WING (Thread)
574	2	33.35		70.64			R1-4	RUJ-3009	3	ROCKWELL 44R SERIES
576	1	34.00	89.00				R2-4	K5-A773	3	UNIMOG
577	1	34.00	96.00		6.00		R2-4	K5-A680	4/16	ELBE 511 - OFFSET
580	1	34.00	97.00				R2-4	K5-A681	4	ELBE 112 SERIES (OLD)
581	1	34.00	97.00				R2-4	K5-A723	16/18	ELBE 112 SERIES (OLD) LUBE ON SIDE OF CAP
583	1	34.00	107.00				R2-4	K5-A682	3	TOYOTA
586	2	34.00		56.00			R1-4	RUJ-3004	3	WALTERSCHEID
588	1	34.90	92.00				R2-4	K5-A729	3	GWB 687-25
594	1	34.90	106.40				R2-4	K5-A730	3	GWB 687-30
589	1	34.93	106.30				R2-4	5-188X	2	1480 SERIES
592	1	34.93	106.30				R2-4	K5-A538	3	1480 / T80 PTO
593	1	34.93 34.93	106.30 113.80				R2-4	K5-A765	3	T80 SERIES PTO WIDE ANGLE
595	6	34.93	106.30		42.85	88.90	R2-2 BB2-2	5-347X	2	1480 SERIES TO 5C MECH - 2 x BLOCK (Str)
598	6	34.93	106.30		42.85	88.90	R2-2 BB1-2	5-348X	2	1480 SERIES TO 5C MECH-2xBLOCK(Thread)
601	2	34.93		76.20			R1-4	5-88X	1/16	1480 AXLE JOINT
602	1	34.93	126.20				R2-4	5-155X	2	1550 SERIES
603	1	34.93	126.20				R2-4	5-155XHD	2	1550 SERIES HEAVY DUTY
604	1	34.93	126.20				R2-4	5-155XLFL	1	1550 SERIES LUBE FOR LIFE
605	6	34.93	126.20		42.85	114.30	R2-2	5-220X	2	1550 SERIES TO 6C MECH-2xWING (Thread)
607	6	34.93	126.20		42.85	114.30	R2-2 BB2-2	5-221X	2	1550 SERIES TO 6C MECH - 2xBLOCK (Str)

www.hardyspicer.com.au

Document No:	HSRWDCAT
Issue:	9
Issue Date:	01/03/07

This catalogue is the copyright  
of Hardy Spicer

## UNIVERSAL JOINT KITS

REF #	FIG	C	B1	B2	E	F	BEARING TYPE	PART #	SEE NOTES	DESCRIPTION
610	6	34.93	126.20		49.21	107.50	R2-2 BB2-2	5-328X	2	1550 SERIES TO 58WB SERIES-2xBLOCK(Str)
613	1	35.00	94.00				R2-4	K5-A693	3	BYPY
615	11	35.00	96.00		6.00		R2-4	K5-A771	4/16	ELBE 511 SERIES (NEW)
616	1	35.00	96.80				R2-4	K5-A612	2	GWB 587-10
617	1	35.00	96.80				R2-4	K5-A612HD	2	GWB 587-10 HEAVY DUTY
618	1	35.00	97.00				R2-4	K5-A749	3	ELBE 112 (NEW)
619	2	35.00	97.00				R2-4	K5-A749-4X	4	ELBE 112 LUBE IN 4 CAPS
620	2	35.00	99.00				R2-4	K5-A566	3	HINO
622	1	35.00	104.00				R2-4	K5-A567	3	ISUZU
623	5	35.00		148.40	50.00	156.40	R1-2 BB1-2	RUJ-7003	4/9	KOMATSU WITH HOLE IN CROSS
625	1	35.50	119.00				R2-4	K5-A568	3	NISSAN
628	1	36.00	89.00				R2-4	K5-A593	3	WALTERSCHEID
631	1	36.00	97.00				R4-4	K5-A523	3	ISUZU
632	1	36.00	104.00				R2-4	K5-A569	3	MITSUBISHI
634	1	36.00	110.35				R2-4	K5-A571	2	HINO
637	1	36.00	115.60				R2-4	K5-A660	3	HINO
640	2	37.00		71.00			R1-4	RUJ-4009	3	MAZDA
643	2	38.00		62.00			R1-4	RUJ-3005	3	MERCEDES BENZ
646	1	38.00	89.20				R2-4	K5-A675	1	MERCEDES BENZ
649	1	38.00	104.00				R2-4	K5-A572	3	MITSUBISHI
650	1	38.00	104.50		8.00		R2-4	K5-A769	4	GWB 469-30 - OFFSET
652	1	38.00	105.80				R2-4	K5-A616	3	DAF
655	1	38.00	106.00				R2-4	K5-A683	4	ELBE 113 SERIES
656	1	38.00	106.00		42.85	88.90	R2-2 BB2-2	K5-A764	4	ELBE 113 SERIES TO 5C MECH
657	11	38.00	107.00		7.50		R2-4	K5-A763	11/16	ELBE 512 - OFFSET
658	1	38.00	110.00				R2-4	K5-A684	2	MERCEDES BENZ
661	1	38.00	112.00				R2-4	K5-A685	2	186-20 SERIES
664	11	38.00	119.00		9.00		R2-4	K5-A638	1/16	GWB 369-30 - OFFSET
670	1	38.00	148.00				R2-4	K5-A645	2	SCANIA TAPER BRKTS
673	8	38.00	148.00 47.63 134.94				R2-2 R5-2	K5-A646	2	SCANIA TAPER BRKTS TO 1610 SERIES
676	1	38.89	109.60				R2-4	CP55N	3	ROCKWELL
679	1	39.00	116.40				R2-4	K5-A632	2	FIAT TRUCK
682	1	39.00	127.00				R2-4	K5-A542	3	SCANIA / VOLVO
685	1	39.70	115.90				R2-4	K5-GB22R	2	1510 SERIES
686	1	39.70	115.90				R2-4	K5-A725	3	1630 SERIES HEAVY DUTY
688	7	39.70	115.90				R5-4	K5-GB15R	2	1510 SERIES(Lock Plate)
690	1	40.00	111.00				R2-4	K5-A759	3	MITSUBISHI
691	1	40.00	115.00				R2-4	K5-A639	2	ISUZU
692	1	40.00	115.50				R2-4	K5-A748	3	HINO
694	1	40.00	118.00				R4-4	K5-A573	2	TOYOTA
697	5	40.00		169.20	50.10	180.60	R1-2 BB2-2	RUJ-8001	4/9	KOMATSU WITH HOLE IN CROSS
700	1	41.00	108.00				R2-4	K5-A665	3	T90 PTO
703	1	41.00	118.00				R2-4	K5-A594	3	SERIES 10 PTO
704	5	41.00		110.50	49.21	117.60	R1-2 BB2-2	RUJ-7001	2	FURUKAWA/KOMATSU
706	1	41.28	128.63				R2-4	CP750N-1	3	750N SERIES
707	1	41.28	136.65				R2-4	K5-A782	3	SPL90 SERIES
709	1	41.28	142.00				R2-4	5-165X	2	1650 SERIES
712	6	41.28	142.00		49.21	117.60	R2-2 C3-2	5-331X	2	1650 SERIES TO 7C MECH-2xWING (Thread)
715	6	41.28	142.00		49.21	117.60	R2-2 BB2-2	5-330X	2	1650 SERIES TO 7C MECH - 2xBLOCK (Str)
718	5	41.28		110.14	49.21	117.60	R1-2 BB2-2	RUJ-7002	2	TOYOTA TCM/JCB
721	2	41.28		110.82			R1-4	114-7294	2	7R MECH
724	2	41.28		167.87	49.21	174.63	R1-2 BB2-2	114-8014	2	U/J/KIT
727	1	42.00	104.00				R2-4	K5-A595	3	WALTERSCHEID
729	1	42.00	104.50				R2-4	K5-A622	3	GWB 587-15
730	11	42.00	110.00		7.50		R2-4	K5-A742	4/16	ELBE 513 - OFFSET

www.hardyspicer.com.au

Document No:	HSRWDCAT
Issue:	9
Issue Date:	01/03/07

## UNIVERSAL JOINT KITS

REF #	FIG	C	B1	B2	E	F	BEARING TYPE	PART #	SEE NOTES	DESCRIPTION
731	1	42.00	115.00				R2-4	K5-A753	3	ISUZU
732	1	42.00	119.40				R2-4	K5-A731	3	GWB 687-35
733	1	42.00	123.00				R2-4	K5-A686	3	ELBE 115 SERIES
736	1	42.00	125.00				R4-4	K5-A574	3	ISUZU
739	2	42.00		72.00			R1-4	RUJ-5001	3	MERCEDES BENZ
742	1	43.00	128.00				R4-4	K5-A575	3	NISSAN UD
745	1	43.00	136.00				R4-4	K5-A547	3	NISSAN UD
748	1	44.00	124.80				R2-4	K5-A614	3	DAF / MAN
754	1	44.00	126.20				R2-4	K5-A607	3/6	VOLVO (1610) 300 SERIES
751	1	44.00	129.00				R4-4	K5-A576	3	DAF / MAN
752	1	44.00	129.00				R2-4	K5-A755	3	MITSUBISHI
753	1	44.00	131.00				R2-4	K5-A784	3	MITSUBISHI
757	1	44.00	149.00				R2-4	K5-A596	3	SCANIA T60 (No Wings)
760	2	44.00		84.00			R1-4	RUJ-5002	3	MERCEDES BENZ
763	1	45.00	120.40				R2-4	K5-A606	3	MERCEDES BENZ
765	11	45.00	125.00		8.00		R2-4	K5-A762	1/16	ELBE 515 - OFFSET
766	1	45.00	131.00				R2-4	K5-A687	3	ELBE
769	1	45.00	152.00				R2-4	K5-A605	3	ELBE 118 SERIES
770	11	45.50	114.10		10.00		R2-4	K5-A778	1/16	WHEEL JOINT - OFFSET
772	1	46.00	136.00				R4-4	K5-A577	3	ISUZU
775	1	46.00	142.00				R4-4	K5-A578	3	MITSUBISHI
778	1	46.00	148.00				R4-4	K5-A586	3	MITSUBISHI
781	1	47.00	124.00				R4-4	K5-A579	3	HINO
784	1	47.00	130.00				R4-4	K5-A662	3	HINO
787	1	47.00	131.00				R4-4	K5-A617	2	HANOMAG
790	1	47.00	138.00				R4-4	K5-A580	3	HINO
793	1	47.00	144.10				R4-4	K5-A581	3	HINO
794	1	47.60	135.17				R2-4	K5-A732	3	GWB 687-40
796	7	47.63	134.94		58.72		R5-4	5-279X	2	1610 SERIES
799	9	47.63	134.94		58.72		R5-2	5-674X	2/14	1610 SERIES to 1/2 ROUND WITH STRAP KIT
802	1	48.00	116.50				R2-4	K5-A623	3	GWB 587-20
805	1	48.00	126.00				R2-4	K5-A633	3	MERCEDES BENZ/ELBE158
808	1	48.00	131.20				R2-4	K5-A689	2	KEMPF
811	1	48.00	145.00				R4-4	K5-A582	3	ISUZU
814	1	48.00	161.00				R2-4	K5-A598	3	SCANIA STR BRKTS
820	1	48.00	161.00				R2-4	K5-A599	3	SCANIA TAPER BRKTS
823	1	49.00	135.00				R5-4	K5-A691	3	FIAT
826	1	49.00	136.00				R5-4	K5-A704	2	SERIES 12 PTO
829	1	49.00	155.00				R4-4	K5-A631	2	FIAT TRUCK
832	1	49.21	130.18				R4-4	CP6N	3	CP6N SERIES
835	1	49.21	150.72				R2-4	CP850N-4	3	850N SERIES
838	7	49.21	154.78		61.90		R5-4	5-280X	2	1710 SERIES
841	9	49.21	154.78		61.90		R5-2	5-675X	2/15	1710 SERIES - 1/2 ROUND WITH STRAP KIT
844	9	49.21	154.78		61.90		R5-4	K5-A688	2	1710 SERIES TO CP7N SERIES
847	8	49.21	154.78		61.90		R5-2	K5-A696	2/15	1710 SERIES TO 8.5C MECH
850	7	49.21	177.80		71.44	123.83	BB2-2			
853	9	49.21	177.80		61.90		R5-4	5-407X	2	1760 SERIES
853	9	49.21	180.10		61.90		R5-2	5-677X	2	1760 SERIES to 1/2 ROUND WITH STRAP KIT
856	7	49.21	191.69		61.90		R5-4	5-281X	2	1810 SERIES
859	9	49.21	191.69		61.90		R5-2	5-676X	2/15	1810 SERIES to 1/2 ROUND WITH STRAP KIT
859	9	49.21	194.00		61.90		R2-2			
862	8	49.21	191.69		61.90		R5-2	5-324X	2	1810 SERIES TO 9C MECH. MACK TRUCK
862	8	49.21	191.69		71.44	168.30	BB2-2			
865	4	50.00	131.00				R2-4	K5-A692	3	HANOMAG
868	1	50.00	152.60				R2-4	K5-A543	3/6	VOLVO 400 SERIES
871	1	50.00	153.00				R2-4	K5-A636	3	GWB 287-40
873	1	50.00	155.00				R4-4	K5-A754	3	ISUZU
874	1	50.00	159.00				R4-4	K5-A583	2	HINO
877	1	50.00	164.00				R2-4	K5-A597	3	SCANIA T70
880	1	50.00	165.00				R4-4	K5-A659	3	HINO
883	1	50.80	150.83				R4-4	CP7N	2	7N SERIES

www.hardyspicer.com.au

Document No:	HSRWDCAT
Issue:	9
Issue Date:	01/03/07

This catalogue is the copyright of Hardy Spicer

## UNIVERSAL JOINT KITS

REF #	FIG	C	B1	B2	E	F	BEARING TYPE	PART #	SEE NOTES	DESCRIPTION
886	1	52.00	133.00				R2-4	K5-A619	3	GWB 587-30
887	1	52.00	147.20				R2-4	K5-A722	3	GWB 687-45
889	1	52.00	154.00				R4-4	K5-A584	3	MITSUBISHI
892	1	52.00	160.00				R4-4	K5-A670	3	MITSUBISHI
893	1	52.00	170.00				R4-4	K5-A758	3	MITSUBISHI
895	1	53.00	135.00				R2-4	K5-A658	3	MERCEDES BENZ/ELBE117
896	1	53.50	155.00				R4-4	K5-A786	3	ISUZU
898	1	55.00	164.00				R4-4	K5-A548	3	NISSAN UD
901	1	55.00	164.00				R2-4	K5-A618	3	HANOMAG
902	1	55.00	164.00				R2-4	SPL170X	3	SPL170 SPICER
904	1	55.00	169.00				R4-4	K5-A694	3	ISUZU
907	7	55.55	205.59		71.44		R5-4	5-308X	2	1880 SERIES
910	8	55.55	205.59		71.44	168.30	R5-2	5-326X	2	1880 SERIES TO 9C MECH - 2xBLOCK (Str)
913	8	55.55	205.59		71.44	168.30	BB2-2		2	1880 SERIES TO 9C MECH-xBLOCK(Thread)
916	1	55.55	205.59		71.44		R5-2	5-327X	2	1880 SERIES TO 9C MECH-xBLOCK(Thread)
919	6	55.55	205.59		71.44	168.30	R2-2	5-185X	2	1850 SERIES TO 9C MECH - 2xBLOCK (Str)
922	6	55.55	205.59		71.44	168.30	BB2-2		2	1850 SERIES TO 9C MECH-xBLOCK(Thread)
925	1	57.00	144.00				R2-2	5-187X	2	1850 SERIES TO 9C MECH-xBLOCK(Thread)
928	1	57.00	152.06				R2-4	K5-A624	3	GWB 587-35 / 36
929	1	57.00	152.06				R2-4	K5-A620	2	GWB 587-42 / 687-55
929	1	57.00	152.06				R2-4	K5-A620-4X	4	GWB 587-42 4xLUBE IN CAP
931	1	57.00	152.60				R2-4	K5-A647	3/6	VOLVO 500/600 SERIES
933	1	57.00	152.06				R2-4	K5-A768	3	SCANIA P500/GWB 687.55 CONVERSION
933	1	57.00	164.00				R2-4			
934	1	57.00	164.00				R2-4	K5-A600	3	SCANIA T71 STR BRKTS
937	1	57.00	164.00				R2-4	K5-A601	3	SCANIA P50 TAPER BRKTS
938	1	58.00	175.00				R4-4	K5-A785	3	MITSUBISHI
940	7	59.00	167.49		71.44		R5-4	5-124X	7	1800 SERIES
941	1	59.00	167.69				R2-4	K5-A733	3	GWB 687-60
942	1	60.00	163.00				R2-4	SPL250X	3	SPL250 SERIES
943	1	60.00	170.00				R4-4	K5-A630	2	FIAT TRUCK
944	1	63.00	178.00				R4-4	K5-A695	2	NISSAN UD
946	1	63.53	196.14				R2-4	CP950N	3	950N SERIES
947	1	65.00	161.80				R2-4	K5-A743	3/20	VOITH S180.5 SERIES
949	1	65.00	172.00				R2-4	K5-A643	3	GWB 587-48/687-65/ELBE 122
950	1	65.00	190.00				R2-4	K5-A756	3	SCANIA
952	2	65.00		143.00			R3-4	K5-A634	3	GWB 190-50
953	2	68.00		89.00			R1-4	K5-A775	3	MERCEDES
955	7	71.43	223.04				R4-4	5-54X	2	1900 SERIES
958	1	72.00	185.00				R2-4	K5-A625	3	GWB 587-50
961	4	74.00		129.00			R3-4	K5-A707	2	GWB 292-50 / 392-50
964	4	74.00		154.00			R3-4	K5-A626	2	GWB 190-55
967	1	74.00	217.00				R2-4	K5-A708	3	GWB 587-55
970	7	77.80	255.19				R5-4	5-339XD	2	1950 SERIES
971	4	83.00		129.00			R3-4	K5-A714	2	GWB 390-60
973	4	83.00		139.00			R3-4	K5-A709	2	GWB 292-55 / 392-55
976	4	83.00		175.00			R3-4	K5-A627	2	GWB 190-60
978	1	83.00	185.00				R2-4	K5-A772	3/20	VOITH 250.8 SERIES
979	1	83.00	185.00				R2-4	K5-A772-4X	4/20	VOITH 250.8 4xLUBE IN CAP
977	1	83.00	220.00				R2-4	K5-A737	3/20	VOITH S250 SERIES
980	4	95.00		139.00			R3-4	K5-A715		GWB 390-65
982	4	95.00		160.00			R3-4	K5-A710	2	GWB 292-60 / 392-60
983	4	95.00		190.00			R3-4	K5-A628	2	GWB 190-65
984	1	95.00	224.4				R2-4	K5-A761	3/20	VOITH 250.8 SERIES
985	1	95.00	255.70				R2-4	K5-A736	3/20	VOITH 285.9 SERIES
986	4	110.00		160.00			R3-4	K5-A716		GWB 390-70
988	4	110.00		210.00			R3-4	K5-A629	2	GWB 190-70
990	4	110.00		176.00			R3-4	K5-A711-4X	4	GWB 292-65 4xLUBE IN CAP
991	4	110.00		176.00			R3-4	K5-A711	2	GWB 292-65 / 392-65
992	1	110.00	275.00				R2-4	K5-A747	3/20	VOITH 315.9 SERIES
993	4	120.00		176.00			R3-4	K5-A717		GWB 390-75
994	4	120.00		235.00			R3-4	K5-A712	2	GWB 190-75

www.hardyspicer.com.au

Document No:	HSRWDCAT
Issue:	9
Issue Date:	01/03/07

## UNIVERSAL JOINT KITS

REF #	FIG	C	B1	B2	E	F	BEARING TYPE	PART #	SEE NOTES	DESCRIPTION
995	4	120.00		196.00			R3-4	K5-A718	3	GWB 292.70 / 392.70
996	4	130.00		216.00			R3-4	K5-A719	3	GWB 390-80 SERIES
997	4	130.00		262.00			R3-4	K5-A713	2	GWB 190-80
999	1	175.00	383.00				R2-4	K5-A770	3/20	VOITH 440.9 SERIES
1000	10	13.21			33.34	59.53	C3-4	114-2110	4	2C MECH-4xWING (Thread)
1003	10	13.21			33.34	59.53	C1-2	114-2116	2	2C MECH-2xWING (C/Sunk)
		13.21			33.34	59.53	C3-2			-2xWING (Thread)
1006	10	13.21			33.34	59.53	C1-2	114-2185	4	2C MECH-2xWING(C/Sunk)
		13.21			33.34	59.53	C3-2			-2xWING (Thread)
1009	10	13.21			33.34	59.53	C1-4	114-2117	2	2C MECH-4xWING(C/Sunk)
1012	10	13.21			33.34	59.53	C2-4	RUJ-2046	4	2C MECH-4xWING (Straight)
1015	10	15.50			36.52	69.85	C3-4	114-3100	2	3C MECH-4xWING (Thread)
1018	10	15.50			36.52	69.85	C1-2	114-3101	2	3C MECH-2xWING(C/Sunk)
		15.50			36.52	69.85	C3-2			-2xWING (Thread)
1019	10	15.50			36.52	69.85	C1-2	114-3120	4	3C MECH-2xWING(C/SUNK)
		15.50			36.52	69.85	B2-2			-2xBLOCK(STRAIGHT)
1021	10	15.50			36.52	69.85	C1-4	114-3103	2	3C MECH-4xWING(C/Sunk)
1024	10	15.50			36.52	87.32	C1-2	RUJ-4003	2	4C MECH-2xWING(C/Sunk)
		15.50			36.52	87.32	C3-2			-2xWING (Thread)
1030	10	15.50			36.52	87.32	C1-2	114-4105	2	4C MECH-2xWING(C/Sunk)
		15.50			36.52	87.32	C2-2			-2xWING (Straight)
1033	10	15.50			36.52	87.32	C3-2	114-4110	2	4C MECH-2xWING (Thread)
		15.50			36.52	87.32	BB2-2			-2xBLOCK(Straight)
1036	10	15.50			36.52	87.32	BB2-4	114-4113	2	4C MECH-4xBlock(Straight)
1039	10	15.50			36.52	87.32	C3-4	114-4100	2	4C MECH-4xWING (Thread)
1042	10	15.50			36.52	87.32	C1-2	114-4103	2	4C MECH-2xWING(C/Sunk)
		15.50			36.52	87.32	C3-2			-2xWING (Thread)
1045	10	17.53			42.85	88.90	C3-4	114-5122	2	5C MECH-4xWING (Thread)
1048	10	17.53			42.85	88.90	C2-4	114-5148	2	5C MECH-4xWING (Straight)
1051	10	17.53			42.85	88.90	BB2-4	114-5177	2	5C MECH-4xBlock(Straight)
1052	10	17.53			42.85	88.90	BB2-4	114-5177HD	1	5C MECH LUBED For LIFE
1054	10	17.53			42.85	88.90	C1-2	114-5127	2	5C MECH-2xWING(C/Sunk)
		17.53			42.85	88.90	C3-2			-2xWING (Thread)
1057	10	17.53			42.85	88.90	C3-2	114-5173	2	5C MECH-2xWING (Thread)
		17.53			42.85	88.90	BB2-2			-2xBLOCK(Straight)
1060	10	17.53			42.85	88.90	C3-2	114-5031	1/9	5C MECH-2xWING (Thread)
		17.53			42.85	88.90	BB2-2			-2xBLOCK(Straight)
1063	10	17.53			42.85	114.30	C1-2	114-6104	2	6C MECH-4xWING(C/Sunk)
1066	10	17.53			42.85	114.30	BB2-4	114-6128	2	6C MECH-4xBlock(Straight)
1067	10	17.53			42.85	114.30	BB2-4	114-6128HD	1	6C MECH LUBED For LIFE
1069	10	17.53			42.85	114.30	C3-4	114-6143	2	6C MECH-4xWING (Thread)
1072	10	17.53			42.85	114.30	C2-2	114-6103	2	6C MECH-2xWING (Straight)
		17.53			42.85	114.30	C3-2			-2xWING (Thread)
1075	10	17.53			42.85	114.30	C3-2	114-6114	2	6C MECH-2xWING (Thread)
		17.53			42.85	114.30	BB2-2			-2xBLOCK(Straight)
1078	10	17.53			42.85	114.30	C2-2	114-6152	2	6C MECH-2xWING (Straight)
		17.53			42.85	114.30	C3-2			-2xWING (Thread)
1081	10	17.53			42.85	114.30	BB2-2	114-6285	2	6C MECH-2xBlock(Straight)
		17.53			42.85	114.30	BB3-2			-2xDbl. Sided Block
1084	10	17.53			42.85	114.30	C3-2	114-6162	2	6C MECH-4xWING (Thread)
		20.57			49.21	117.60	C3-2			TO 7C MECH
1087	10	17.53			42.85	114.30	C3-2	114-6163	2	6C MECH-2xWING (Thread)
		20.57			49.21	117.60	BB2-2			TO 7C MECH-2xBlock (Str.)
1090	10				49.20	104.00	BB2-4	114-7295	3	DEUTZ Tractor-4xBlock(Str.)
1093	10				49.21	107.50	C3-4	CP58WB-29	2	ROCKWELL-4xWing(Thrd.)
1096	10				49.21	107.50	BB2-4	CP58WB-38	2	ROCKWELL - 4xBlock (Str.)
1099	10				49.21	107.50	C3-2	CP58WB-37	2	ROCKWELL-2xWing(Thrd.)
					49.21	107.50	BB2-2			
1102	10	20.57			49.21	117.60	BB2-4	114-7126	2	7CMECH4xBLOCK(Straight)
1103	10	20.57			49.21	117.60	BB2-4	114-7126HD	1	7C MECH LUBED For LIFE
1105	10	20.57			49.21	117.60	C3-4	114-7205	2	7C MECH-4xWING (Thread)
1108	10	20.57			49.21	117.60	C1-4	114-7208	2	7C MECH-4xWing(C/Sunk)
1111	10	20.57			49.21	117.60	C3-2	114-7207	2	7C MECH-2xWING(Thread)
		20.57			49.21	117.60	BB2-2			-2xBLOCK(Str.)

www.hardyspicer.com.au

Document No:	HSRWDCAT
Issue:	9
Issue Date:	01/03/07

This catalogue is the copyright of Hardy Spicer

## UNIVERSAL JOINT KITS

REF #	FIG	C	B1	B2	E	F	BEARING TYPE	PART #	SEE NOTES	DESCRIPTION
1114	10	20.57			49.21	117.60	C1-2	114-7206	2	7C MECH-2xWing (C/Sunk)
		20.57			49.21	117.60	C3-2			-2xWING (Thread)
1117	10	20.57			49.21	117.60	C1-2	114-7209	2	7C MECH-2xWING(C/Sunk)
		20.57			49.21	117.60	BB2-2			-2xBLOCK(Straight)
1120	10	20.57			49.21	174.63	BB2-4	114-8113	2	8C MECH-4xBLOCK(Str.)
1121	10	20.57			49.21	174.63	BB2-4	114-8113HD	1	8C MECH LUBE FOR LIFE
1123	10	20.57			49.21	174.63	C3-4	114-8205	2	8C MECH-4xWING (Thread)
1126	10	20.57			49.21	174.63	C1-2	114-8206	2	8C MECH-2xWING(C/Sunk)
		20.57			49.21	174.63	C3-2			-2xWING (Thread)
1129	10	20.57			49.21	174.63	C3-2	114-8207	2	8C MECH-2xWING (Thread)
		20.57			49.21	174.63	BB2-2			-2xBLOCK (Str.)
1132	10				50.00	115.00	C3-4	RUJ-7000	2	ISUZU - 4xWING (Thread)
1133	10				50.10	180.60	BB2-4	RUJ-8002	4/9	KOMATSU-4xBLOCK(STR)
1135	10				56.00	140.00	C3-4	114-8209	2	ISUZU - 4xWING (Thread)
1138	10				60.00	104.00	BB2-4	114-8210	2	FURUKAWA-4xBLOCK(Str)
1139	10	23.50			60.00	146.00	BB2-4	RUJ-9902	2	UG 990 SERIES
1141	10	23.37			61.98	125.22	BB2-4	114-8211	2	J170 - 4xBLOCK (Straight)
1144	10	25.40			71.44	123.83	BB2-4	114-8516	2	8.5C MECH-4xBLOCK (Str)
1145	10	25.40			71.44	123.83	BB2-4	114-8516HD	1	8-5C MECH Lube For Life
1147	10	25.40			71.44	123.83	C3-4	114-8514	2	8-5C MECH-4xWING(Thread)
1150	10	25.40			71.44	123.83	C3-2	114-8508	2	8-5C MECH-2xWING(Thread)
		25.40			71.44	123.83	BB2-2			-2xBLOCK (Str.)
1153	10	25.40			71.44	168.30	C3-4	114-9014HD	1	9C MECH-4xWING (Thread)
1156	10	25.40			71.44	168.30	C1-4	114-9015	2	9C MECH-4xWing(C/Sunk)
1159	10	25.40			71.44	168.30	BB2-4	114-9016	2	9C MECH - 4xBLOCK (Str.)
1160	10	25.40			71.44	168.30	BB2-4	114-9016HD	1	9C MECH LUBE FOR LIFE
1161	10	25.40			71.44	168.30	BB2-4	114-9038	3	9C MECH - CENTRE LUBE
1165	10	25.40			71.44	168.30	C3-2	114-9017	2	9C MECH-2xWING (Thread)
		25.40			71.44	168.30	BB2-2			-2xBLOCK (Straight)
1168	10	25.40			71.44	168.30	C1-2	114-9026	2	9C MECH-2xWING (C/Sunk)
		25.40			71.44	168.30	C3-2			-2xWING (Thread)
1162	10	28.19			71.44	168.30	BB2-4	114-9500	1	9.5C/J310 - 4xBLOCK (Str.)
1169	10	32.50			82.00	198.00	BB2-4	RUJ-11500	2	ICUG 11.5C SERIES
1170	10	34.00			88.90	172.72	BB2-4	RUJ-11000	2	KOMATSU
1171	10	34.04			88.90	172.72	BB2-4	114-10500	2	10.5C/J490-4xBLOCK (Str.)
1174	10	40.13			88.90	172.72	BB2-4	114-11002	2	11C/J600-4xBLOCK(Str)
1177	10	34.04			88.90	172.72	BB2-4	114-10033	2	J490 TO 10C MECH
		32.51			92.07	165.10				(.625 BOLT) - 4xBLOCK(Str.)
1180	10	32.51			92.07	165.10	BB2-4	114-10003	2/7	10C MECH (.562 BOLT)
										-4xBLOCK(Straight)
1183	10	32.51			92.07	165.10	C1-4	114-10007	2	10C MECH-4xWing(C/Sunk)
1186	10	32.51			92.07	165.10	BB2-4	114-10011	2/8	10C MECH (.625 BOLT)
										-4xBLOCK (Straight)
1190	10	38.00			92.00	227.00	BB2-4	RUJ-12500	2	TEREX
1192	10	32.51			92.20	241.30	BB2-4	114-12002	2	KOMATSU (14mm BOLT)
										-4xBLOCK (Straight)
1195	10	38.10			99.97	199.95	BB2-4	114-15002	2	J800 - 4xBLOCK (Straight)
1196	10	38.10			99.97	199.95	BB2-4	114-15002PL	1	15C MECH-LUBE FOR LIFE
1200	10				135.00	270.00	BB2-4	RUJ-14000	2	KOMATSU LOW SPEED
1205	10				135.00	270.00	BB2-4	RUJ-14001	2	KOMATSU HIGH SPEED

www.hardyspicer.com.au

Document No:	HSRWDCAT
Issue:	9
Issue Date:	01/03/07

## UNIVERSAL JOINT KITS

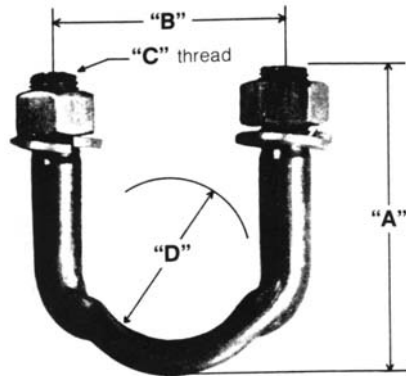


Fig 1

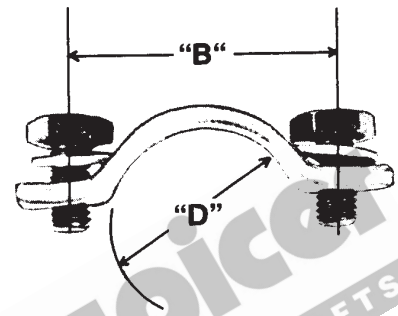


Fig 2

“C” = Hex Head Cap Screw Size

## UNIVERSAL JOINT HARDWARE KITS

PART No.	FIG	U-BOLTS or CLAMPS	LOCK WASHER	HEX NUT or CAP SCREW	A	B	C	D	SUITS SHAFT SERIES
102	1	2	4	4	47.62 1.875	35.72 1.406	5/16-24UNF	26.99 1.038	1310 / 1330 1-1/16 CAPS
103	1	2	4	4	55.56 2.187	42.07 1.656	3/8-24UNF	30.16 1.187	1350 / 1410
104	1	2	4	4	47.62 1.875	34.92 1.375	1/4-28UNF	25.40 1.000	17R
105	1	2	4	4	50.00 1.969	40.48 1.594	5/16-18UNC	28.57 1.125	1310 / 1330 1-1/8 CAPS
106	2	2	4	4		38.10 1.500	1/4-28	27.38 1.078	21R
107	2	2	4	4		40.48 1.594	5/16-24	26.99 1.038	1310 / 1330 1-1/16 CAPS
108	2	2	4	4		46.04 1.812	5/16-24	28.57 1.125	3R
109	1	2	4	4	61.12 2.406	48.42 1.906	7/16-20UNF	34.92 1.375	1480 / 1550
2R-94-10	1	2	4	4	60.32 2.375	34.92 1.375	1/4-28UNF	25.40 1.000	2R
25R-94-11	1	2	4	4	62.00 2.441	39.70 1.562	5/16-24UNF	28.58 1.125	25R
3-70-28X	2	2	4	4		45.87 1.806	3/8-24	30.17 1.188	1350 / 1410 1-3/16 CAPS
3-70-38X	2	2	4	4		54.10 2.130	7/16-20	34.92 1.375	1480/1550 1-3/8 CAPS
5-70-28X	2	2	4	4		63.50 2.500	3/8-24	47.62 1.875	1610 1-7/8 CAPS
6-5-70-18X	2	2	4	4		71.27 2.806	1/2-20	49.20 1.937	1710/160/1810 1-15/16 CAPS

www.hardyspicer.com.au

Document No:	HSRWDCAT
Issue:	9
Issue Date:	01/03/07

This catalogue is the copyright of Hardy Spicer

## UNIVERSAL JOINT KITS

### HARDWARE TORQUE SPECIFICATIONS

SERIES	BRG DIA.	U-JOINT KIT PART No	U-BOLT or BOLT PART No	LOCK PLATE PART No	THREAD SIZE	TORQUE	or STRAP KIT PART No	THREAD SIZE	TORQUE
U-BOLT or STRAP STYLE									
1310	27.00 1.063	K5-13XR	102		0.312-24	19-23Nm 14-17ft/lbs	107	0.250-28	17-24Nm 13-18ft/lbs
1330	27.00 1.063	RUJ-3002	102		0.312-24	19-23Nm 14-17ft/lbs	107	0.250-28	17-24Nm 13-18ft/lbs
1350	30.17 1.188	5-178X	103		0.375-24	27-33Nm 20-24ft/lbs	3-70-28X	0.312-24	34-41Nm 25-30ft/lbs
1410	30.17 1.188	K5-GB10R	103		0.375-24	27-33Nm 20-24ft/lbs	3-70-28X	0.312-24	34-41Nm 25-30ft/lbs
1480	34.92 1.375	5-188X	109		0.437-20	43-50Nm 32-37ft/lbs	3-70-38X	0.375-24	75-81Nm 55-60ft/lbs
1550	34.92 1.375	5-155X	109		0.437-20	43-50Nm 32-37ft/lbs	3-70-38X	0.375-24	75-81Nm 55-60ft/lbs
TWO BEARING PLATE & TWO STRAP STYLE									
1610	47.62 1.875	5-674X	508-45	94-A764			5-70-28X	0.375-24	75-81Nm 55-60ft/lbs
1710	49.20 1.937	5-675X	508-25	94-A339			6.5-70-18X	0.500-20	176-183Nm 130-135ft/lbs
1760	49.20 1.937	5-677X	508-25	94-A339			6.5-70-18X	0.500-20	176-183Nm 130-135ft/lbs
1810	49.20 1.937	5-676X	508-25	94-A339			6.5-70-18X	0.500-20	176-183Nm 130-135ft/lbs
FOUR BEARING PLATE STYLE									
1610	47.62 1.875	5-279X	508-45	94-A764		23-33Nm 17-24ft/lbs			
1710	49.20 1.937	5-280X	508-25	94-A339		43-57Nm 32-42ft/lbs			
1760	49.20 1.937	5-407X	508-25	94-A339		43-57Nm 32-42ft/lbs			
1810	49.20 1.937	5-281X	508-25	94-A339		43-57Nm 32-42ft/lbs			
1880	55.55 2.187	5-308X	7-73-115#	231009#		68-89Nm 50-66ft/lbs			

To help insure universal joint retention, it is imperative that the correct cap-screw be used and properly torqued. All must be Grade 8 or equivalent quality. The torque settings apply only to clean, dry, non-coated bolts.

### JOINT THREAD TORQUE SETTINGS

SIZE	SIZE	ft / lbs	Nm
2C	5/16 - 24	22 - 27	29.8 - 36.6
3C	5/16 - 24	22 - 27	29.8 - 36.6
4C	5/16 - 24	22 - 27	29.8 - 36.6
5C	3/8 - 24	37 - 49	50.2 - 66.4
6C	3/8 - 24	37 - 49	50.2 - 66.4
7C	7/16 - 20	65 - 75	88.1 - 101.7
7C	1/2 - 20	70 - 80	94.9 - 108.5
8C	7/16 - 20	65 - 75	88.1 - 101.7
8C	1/2 - 20	70 - 80	94.9 - 108.5
8.5C	1/2 - 20	110 - 120	149.1 - 162.7
9C	1/2 - 20	110 - 120	149.1 - 162.7
9.5C	1/2 - 20	90 - 110	122.0 - 149.1
10C	5/8 - 18	230 - 240	311.8 - 325.4
10.5C	5/8 - 18	230 - 240	311.8 - 325.4
11C	3/4 - 16	315 - 345	427.1 - 467.7
15C	3/4 - 16	315 - 345	427.1 - 467.7

# INDENT ONLY

www.hardyspicer.com.au

Document No:	HSRWDCAT
Issue:	9
Issue Date:	01/03/07

## UNIVERSAL JOINT KITS

### HARDWARE TORQUE SPECIFICATION

PART No.	BOLT or NUT	WASHER PART #	TO SUIT	THREAD	TORQUE
94-GB2201	Nut	510-2400		3/4"-20UNF	205-230Nm 150-170ft/lbs
509-33	Nut			1"-20UNEF	373-440Nm 275-325ft/lbs
231502	Nut	510-27	1610 1710-1810	1.250"-18UNEF	644-712Nm 475-525ft/lbs
539-001	Bolt		1480-1550	5/8"-18UNF	162-176Nm 120-130ft/lbs
VOL-23222	Nut	VOL-23223	Volvo		
VOL-24152	Nut		Volvo		

### CIRCLIPS

Diameter	Thickness	Part Number	Suit
23.80	.058"	SR-2380-058	1140
23.80	.060"	SR-2380-060	1140
23.80	.061"	SR-2380-061	1140
23.80	.063"	SR-2380-063	1140
27.00	.058	SR-2700-058	1310/1330/687.15
27.00	.060"	SR-2700-060	1310/1330/687.15
27.00	.061"	SR-2700-061	1310/1330/687.15
27.00	.062"	SR-2700-062	1310/1330/687.15
27.00	.063"	SR-2700-063	1310/1330/687.15
30.16	.058"	SR-3016-058	1350/1410/687.20
30.16	.060"	SR-3016-060	1350/1410/687.20
30.16	.061"	SR-3016-061	1350/1410/687.20
30.16	.063"	SR-3016-063	1350/1410/687.20
30.16	.065"	SR-3016-065	1350/1410/687.20
34.93	.061"	SR-3493-061	1480/1550/687.25/30
34.93	.063"	SR-3493-063	1480/1550/687.25/30
34.93	.065"	SR-3493-065	1480/1550/687.25/30
34.93	.067"	SR-3493-067	1480/1550/687.25/30
34.93	.071"	SR-3493-071	1480/1550/687.25/30
34.93	.073"	SR-3493-073	1480/1550/687.25/30
39.70	.071"	SR-3970-071	1510/1630



### C-CLIPS

Diameter	Thickness	Part Number	Suit
29.00	1.6mm	ISR-2900-1.6	RUJ-2100
29.00	1.7mm	ISR-2900-1.7	RUJ-2100








www.hardyspicer.com.au

Document No:	HSRWDCAT
Issue:	9
Issue Date:	01/03/07


This catalogue is the copyright of Hardy Spicer

# HARDY SPICER CENTRE BEARINGS


## BMW

Vehicle	Model	Hardy Spicer Part No.	O.E.Part No.	Year	Bearing ID	Bolt Hole Centres
BMW		BM-30-5710	26 11 1 226 723		30mm	130mm
BMW		BM-30-5690	26 11 1 206 502		30mm	135mm
BMW		BM-30-5700	26 12 1 225 152		30mm	140mm
BMW		BM-30-5720	26 12 1 226 731		30mm	160mm
BMW E38, E39		BM-30-5730	26 12 1 229 242		30mm	160mm

## Chevrolet

Vehicle	Model	Hardy Spicer Part No.	O.E.Part No.	Year	Bearing ID	Bolt Hole Centres
GMC	 Stalk type centre bearing	210527X			30mm	38.1mm

## Daihatsu

Vehicle	Model	Hardy Spicer Part No.	O.E.Part No.	Year	Bearing ID	Bolt Hole Centres
Delta	 V12. V22. V32.	DA-30-3810	37208-87302	77-	35mm	119mm

Document No:	HSRWDCAT
Issue:	9
Issue Date:	01/03/07

This catalogue is the copyright of Hardy Spicer

Ford						
Vehicle	Model	Hardy Spicer Part No.	O.E.Part No.	Year	Bearing ID	Bolt Hole Centres
Escort, Cortina	 Bearing & shrouds	17R-32-1118			30mm	
Escort, Cortina	 Rubber insulator (No housing)	17R-31-11				
Falcon BA, BF 6 CYL Sedans  XR6T & XR8	 XR6T, XR8 Sedan & Ute with centre u/joint	FD-30-5830			30mm	214mm
Falcon BA, BF V8 Sedans  XR6T, XR8	 XR6T, XR8 (only with centre cv joint)	FD-30-5835		2004-	35mm	214mm
Courier Early with 25mm Bearing	 Suits Petrol & Diesel	MZ-30-4310		85-	25mm	165mm
Courier	 Carby Models	MZ-30-4910	P045-25-310	85-89	28mm	170mm
Courier	 2WD EFI Models	MZ-30-5780	P047-25-310A	-1/99	28mm	164mm
Courier	 4WD Models	MZ-30-5680	P065-25-310A	-1/99	28mm	180mm

www.hardyspicer.com.au

Document No:	HSRWDCAT
Issue:	9
Issue Date:	01/03/07

This catalogue is the copyright of Hardy Spicer

### Ford cont.

Vehicle	Model	Hardy Spicer Part No.	O.E.Part No.	Year	Bearing ID	Bolt Hole Centres
Courier	2WD Models EFI & DIESEL 	MZ-30-6900	SA02-25-100	2/99-	28mm	161mm
Courier	4WD Models 	MZ-30-6910	SA54-25-100	2/99-	28mm	180mm
Ranger 2WD	2.5DT PH 	MZ-30-6900	SA02-25-100	11/06-	28mm	161mm
Ranger 4WD	V6 3.0DT PH 	MZ-30-6910	SA54-25-100	11/06-	28mm	180mm
Transit	VE 	FD-30-5210 FD-30-5245	95VB-4826-AA	8/94-	30mm 45mm	144mm 146mm
Trader		MZ-30-5590			35mm	180mm
F100 F150		211187X			35mm	168mm

www.hardyspicer.com.au

Document No:	HSRWDCAT
Issue:	9
Issue Date:	01/03/07

This catalogue is the copyright of Hardy Spicer

## Hardy Spicer "D" shape

Hardy Spicer Part No.	Description	Rubber Cushion	Bearing & retainer	Assembly Width	Bearing ID	Bolt Hole Centres
210088-1X	 1310 1350 1410	230119-1	210086X	44mm	35mm	168mm
211187X	 Suits Ford F100, F150 etc.				35mm	168mm
210433-1X	 1350 1410 1480 1550 Suits slip yokes	230126-1	210085-1X	51mm	40mm	168mm
210866X	 1350 1410 1480 1550 Suits slip yokes			51mm	40mm	168mm
210391-1X	 1350 1410 1480 1550 Suits end yokes	230126-1	210085-1X	51mm	40mm	168mm
210084-2X	 1480 1550 1610	230147-4	210092-1X	57mm	45mm	194mm

www.hardyspicer.com.au

Document No:	HSRWDCAT
Issue:	9
Issue Date:	01/03/07

This catalogue is the copyright  
of Hardy Spicer

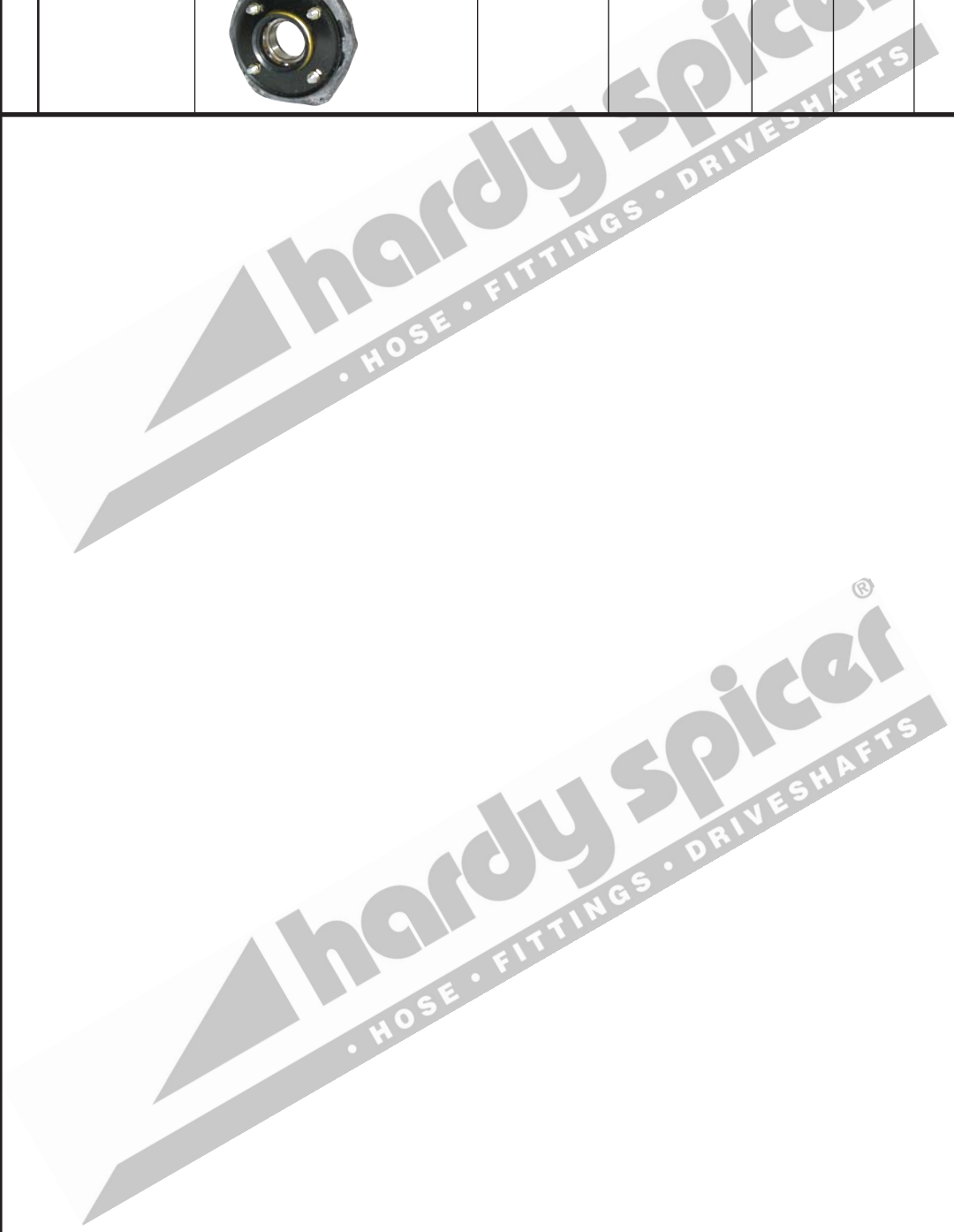
## Hardy Spicer "D" shape cont.

Hardy Spicer Part No.	Description	Rubber Cushion	Bearing & retainer	Assembly Width	Bearing ID	Bolt Hole Centres
210121-1X	 1710	230167-1	210120-1X	57mm	50mm	194mm
210881-1X	 1710 Solid rubber	230958-1	210120-1X	57mm	50mm	194mm
211440X	 18mm wide bearing			57mm	55mm	194mm
210661-1X	 1710 1760 1800 1810	230749-1	210660-1X	67mm	60mm	219mm
210875-1X	 1710 1760 1800 1810 Solid rubber	231008	210660-1X	67mm	60mm	219mm
210748-1X	 1880	230749-1	210750-1X	67mm	70mm	219mm
211070-1X	 1880 Solid rubber	231008	210750-1X	67mm	70mm	219mm

www.hardyspicer.com.au

Document No:	HSRWDCAT
Issue:	9
Issue Date:	01/03/07

Hino						
Vehicle	Model	Hardy Spicer Part No.	O.E.Part No.	Year	Bearing ID	Bolt Hole Centres
FD2H		HI-30-6060	37230-1200		45mm	
KR		HI-30-6050	37230-1171		45mm	

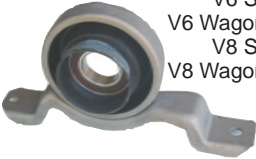


[www.hardyspicer.com.au](http://www.hardyspicer.com.au)

Document No:	HSRWDCAT
Issue:	9
Issue Date:	01/03/07

This catalogue is the copyright of Hardy Spicer

## Holden

Vehicle	Model	Hardy Spicer Part No.	O.E.Part No.	Year	Bearing ID	Bolt Hole Centres
Commodore VB - VT	 VB-VT	<b>CB-952</b> (60 Duro)	<b>M40306</b>	All	30mm	
Commodore VX - VZ	 V6 Sedan V6 Wagon/Ute V8 Sedan V8 Wagon/Ute	<b>UD-30-5640</b> <b>UD-30-5650</b> <b>UD-30-5660</b> <b>UD-30-5670</b>			30mm 30mm 30mm 30mm	195mm 195mm 195mm 195mm
Sunbird	 Bearing & shrouds	<b>17R-32-1118</b>			30mm	
Sunbird	 Rubber insulator (No housing)	<b>17R-31-11</b>				
Jackaroo 4WD & Rodeo 4WD	 UBS Long wheel base KB	<b>IS-30-3910</b>		8/85-	25mm 25mm	50mm 50mm
Rodeo 2WD	 TF (Centre to Mounting flange 100mm)	<b>IS-30-4010</b>	<b>8-94328-800</b>	89-	30mm	94mm
Rodeo 4WD	 TF (Centre to Mounting flange 85mm)	<b>IS-30-4110</b>	<b>8-94482-472</b> & <b>8-94386-854</b>	87-	30mm	94mm

www.hardyspicer.com.au

Document No:	HSRWDCAT
Issue:	9
Issue Date:	01/03/07

This catalogue is the copyright of Hardy Spicer







































